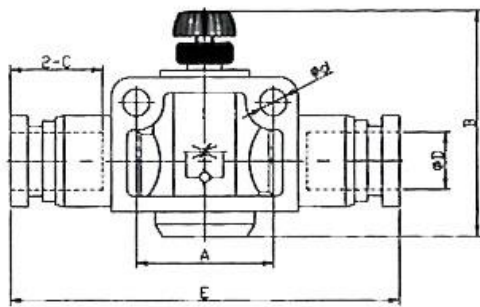
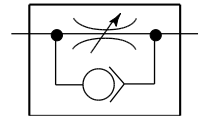


Unsere Schnellsteckverbinderserie aus Kunststoff bzw. vernickeltem Messing.
Die Teile sind einsetzbar in Verbindung mit Kunststoffschläuchen und Kupferrohren.

| | |
|-----------------------|---|
| Einsatzbereiche: | Luft, Vakuum |
| Material: | Kunststoff bzw. Messing vernickelt |
| Andruckring: | Kunststoff |
| Temperaturbereich: | -20 °C bis 80 °C |
| Dichtfläche: | O-Ring im Gehäuse bei zylindrischer Ausführung PTFE-Gewindebeschichtung bei konischer Ausführung |
| Medium: | Druckluft, neutrale und ungefährliche Gase und Flüssigkeiten* |
| Empfohlener Schlauch: | PU oder PA (Nylon) |

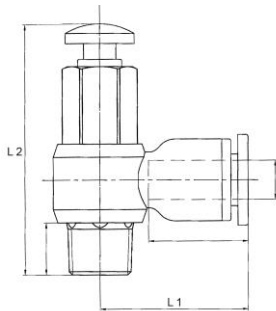


181.0808

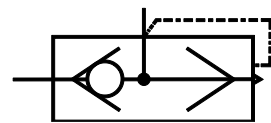


Drosselrückschlagventil mit Steckanschluss, gerade Form

| Artikel Nr. | Typen Nr. | Ø D mm | Arbeitsdruck max. bar | Ø d mm | A mm | B (max) mm | B (min) mm | E mm | C mm |
|-------------|-----------|-----------|-----------------------------|-----------|---------|---------------|---------------|---------|---------|
| 109972 | 181.0404 | 4 | 15 | 3,2 | 14,0 | 30,8 | 28,3 | 39,5 | 14,4 |
| 109973 | 181.0606 | 6 | 15 | 4,3 | 20,0 | 47,2 | 41,0 | 47,1 | 15,4 |
| 109974 | 181.0808 | 8 | 15 | 4,3 | 22,0 | 51,5 | 44,4 | 52,0 | 16,7 |
| 109975 | 181.1010 | 10 | 15 | 4,3 | 26,0 | 55,0 | 48,0 | 62,3 | 19,7 |
| 109976 | 181.1212 | 12 | 15 | 4,3 | 32,0 | 57,7 | 52,3 | 73,6 | 22,3 |



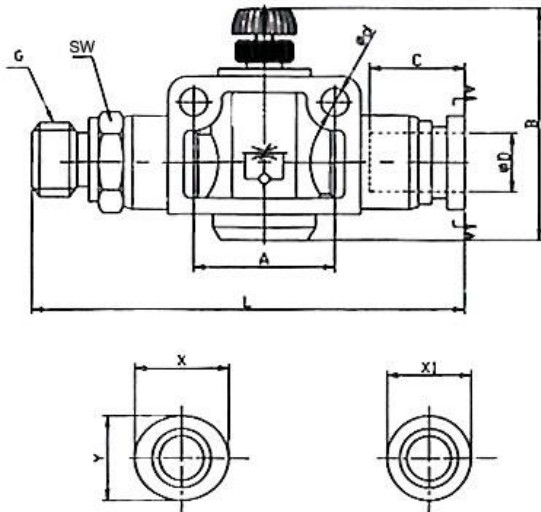
281.018-6



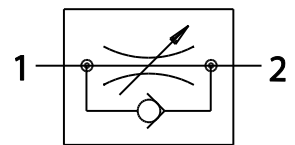
Manuell betätigtes Schnellentlüftungsventil, Winkelform, Außengewinde konisch mit Gewindebeschichtung

Temperaturbereich: -10 °C bis 80 °C

| Artikel Nr. | Typen Nr. | Ø D mm | Gewinde | Arbeitsdruck max. bar | L1 mm | L2 mm | SW mm |
|-------------|-----------|--------|---------|-----------------------|-------|-------|-------|
| 135987 | 281.018-6 | 6 | R 1/8 | 10 | 22,9 | 38,3 | 10 |

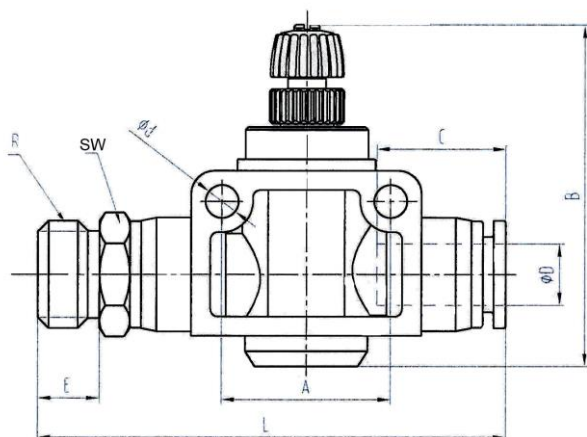


183.014-6

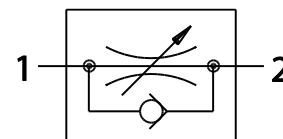


Drosselrückschlagventil mit zylindrischem Außengewinde und Steckanschluss, gerade Form, Drosselung von Schlauch zu Gewinde

| Artikel Nr. | Typen Nr. | L mm | A mm | B (max) mm | B (min) mm | C mm | Ø D mm | Arbeitsdruck max. bar | Ø d mm | Gewinde | SW mm | Ø P mm |
|-------------|------------|------|------|------------|------------|------|--------|-----------------------|--------|---------|-------|--------|
| 109947 | 183.018-4 | 46,5 | 14,0 | 31,2 | 28,9 | 14,3 | 4 | 15 | 3,2 | G 1/8 | 12 | 14,0 |
| 109948 | 183.018-6 | 53,7 | 20,0 | 46,8 | 41,1 | 15,4 | 6 | 15 | 4,3 | G 1/8 | 12 | 14,0 |
| 109949 | 183.018-8 | 58,1 | 22,0 | 47,4 | 41,7 | 16,4 | 8 | 15 | 4,3 | G 1/8 | 14 | 14,0 |
| 109950 | 183.014-6 | 55,1 | 20,0 | 47,0 | 40,8 | 15,4 | 6 | 15 | 4,3 | G 1/4 | 14 | 17,0 |
| 109951 | 183.014-8 | 59,6 | 22,0 | 50,8 | 44,8 | 16,4 | 8 | 15 | 4,3 | G 1/4 | 17 | 17,0 |
| 109952 | 183.014-10 | 70,3 | 26,0 | 54,0 | 47,4 | 18,7 | 10 | 15 | 4,3 | G 1/4 | 17 | 17,0 |
| 109953 | 183.014-12 | 80,6 | 32,0 | 55,3 | 50,3 | 22,3 | 12 | 15 | 4,3 | G 1/4 | 21 | 21,0 |
| 109954 | 183.038-8 | 61,0 | 22,0 | 50,4 | 44,3 | 16,4 | 8 | 15 | 4,3 | G 3/8 | 17 | 20,0 |
| 109955 | 183.038-10 | 71,6 | 26,0 | 55,3 | 48,5 | 18,7 | 10 | 15 | 4,3 | G 3/8 | 20 | 20,0 |
| 109956 | 183.038-12 | 81,3 | 32,0 | 57,1 | 51,8 | 22,3 | 12 | 15 | 4,3 | G 3/8 | 21 | 21,0 |
| 109957 | 183.012-10 | 76,0 | 26,0 | 54,5 | 48,3 | 18,7 | 10 | 15 | 4,3 | G 1/2 | 19 | 24,0 |
| 109958 | 183.012-12 | 85,9 | 32,0 | 56,8 | 51,5 | 22,3 | 12 | 15 | 4,3 | G 1/2 | 24 | 24,0 |

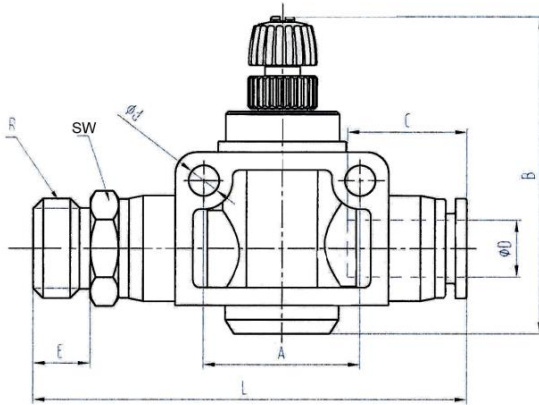


182.014-6

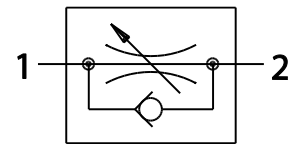


Drosselrückschlagventil mit konischem Außengewinde und Steckanschluss, gerade Form,
Drosselung von Schlauch zu Gewinde

| Artikel Nr. | Typen Nr. | L mm | A mm | B (max) mm | B (min) mm | C mm | Ø D mm | Arbeitsdruck max. bar | Ø d mm | Gewinde | SW mm | E mm |
|-------------|------------|---------|---------|------------------|------------------|---------|-----------|-----------------------------|-----------|---------|----------|---------|
| 109959 | 182.018-4 | 45,9 | 14,0 | 29,0 | 26,9 | 14,4 | 4 | 15 | 3,2 | R 1/8 | 10 | 5,5 |
| 109960 | 182.018-6 | 53,6 | 20,0 | 43,0 | 37,8 | 15,4 | 6 | 15 | 4,3 | R 1/8 | 12 | 5,5 |
| 109961 | 182.018-8 | 58,4 | 22,0 | 47,2 | 41,5 | 16,4 | 8 | 15 | 4,3 | R 1/8 | 14 | 5,5 |
| 109962 | 182.014-6 | 56,2 | 20,0 | 43,6 | 38,0 | 15,4 | 6 | 15 | 4,3 | R 1/4 | 14 | 6,5 |
| 109963 | 182.014-8 | 60,6 | 22,0 | 47,1 | 41,1 | 16,4 | 8 | 15 | 4,3 | R 1/4 | 14 | 6,5 |
| 109964 | 182.014-10 | 71,4 | 26,0 | 55,2 | 47,6 | 18,7 | 10 | 15 | 4,3 | R 1/4 | 17 | 6,5 |
| 109965 | 182.014-12 | 82,3 | 32,0 | 55,6 | 51,8 | 22,3 | 12 | 15 | 4,3 | R 1/4 | 21 | 9,5 |
| 109966 | 182.038-8 | 62,1 | 22,0 | 47,2 | 41,9 | 16,4 | 8 | 15 | 4,3 | R 3/8 | 17 | 7,5 |
| 109967 | 182.038-10 | 71,8 | 26,0 | 54,9 | 48,3 | 18,7 | 10 | 15 | 4,3 | R 3/8 | 17 | 7,5 |
| 109968 | 182.038-12 | 83,0 | 32,0 | 55,9 | 51,2 | 22,3 | 12 | 15 | 4,3 | R 3/8 | 21 | 7,5 |
| 109969 | 182.012-10 | 75,4 | 26,0 | 54,6 | 48,0 | 18,7 | 10 | 15 | 4,3 | R 1/2 | 21 | 9,5 |
| 109970 | 182.012-12 | 86,2 | 32,0 | 56,6 | 52,0 | 22,3 | 12 | 15 | 4,3 | R 1/2 | 21 | 6,5 |

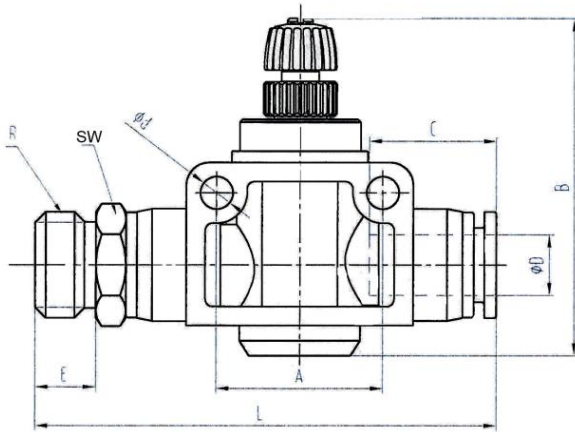


286.014-6

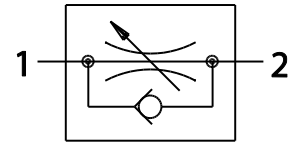


Drosselrückschlagventil mit zylindrischem Außengewinde und Steckanschluss, gerade Form, Drosselung von Gewinde zu Schlauch

| Artikel Nr. | Typen Nr. | L mm | A mm | B (max) mm | B (min) mm | C mm | Ø D mm | Arbeitsdruck max. bar | Ø d mm | Gewinde | SW mm | E mm |
|-------------|------------|------|------|------------|------------|------|--------|-----------------------|--------|---------|-------|------|
| 135811 | 286.018-4 | 46,5 | 14,0 | 28,0 | 31,0 | 14,4 | 4 | 15 | 3,2 | G 1/8 | 12 | 5,5 |
| 135812 | 286.018-6 | 54,1 | 20,0 | 40,7 | 47,5 | 15,5 | 6 | 15 | 4,3 | G 1/8 | 14 | 5,5 |
| 135813 | 286.018-8 | 58,8 | 22,0 | 44,1 | 51,8 | 16,8 | 8 | 15 | 4,3 | G 1/8 | 14 | 5,5 |
| 135814 | 286.014-6 | 55,6 | 20,0 | 40,7 | 47,5 | 15,5 | 6 | 15 | 4,3 | G 1/4 | 14 | 6,5 |
| 135815 | 286.014-8 | 60,0 | 22,0 | 44,1 | 51,8 | 16,8 | 8 | 15 | 4,3 | G 1/4 | 17 | 6,5 |
| 135816 | 286.014-10 | 69,9 | 26,0 | 47,7 | 55,3 | 19,5 | 10 | 15 | 4,3 | G 1/4 | 17 | 6,5 |
| 135817 | 286.014-12 | 80,4 | 32,0 | 52,0 | 58,0 | 22,3 | 12 | 15 | 4,3 | G 1/4 | 21 | 6,5 |
| 135818 | 286.038-8 | 61,5 | 22,0 | 44,1 | 51,8 | 16,8 | 8 | 15 | 4,3 | G 3/8 | 17 | 7,5 |
| 135819 | 286.038-10 | 71,4 | 26,0 | 47,7 | 55,3 | 19,5 | 10 | 15 | 4,3 | G 3/8 | 20 | 7,5 |
| 135820 | 286.038-12 | 81,4 | 32,0 | 52,0 | 58,0 | 22,3 | 12 | 15 | 4,3 | G 3/8 | 21 | 7,5 |
| 135821 | 286.012-10 | 74,9 | 26,0 | 47,7 | 55,3 | 19,5 | 10 | 15 | 4,3 | G 1/2 | 19 | 9,5 |
| 135822 | 286.012-12 | 84,9 | 32,0 | 52,0 | 58,0 | 22,3 | 12 | 15 | 4,3 | G 1/2 | 24 | 9,5 |

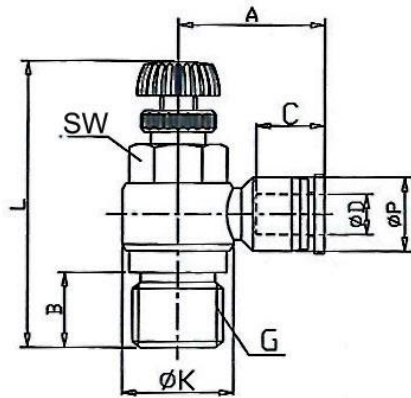


287.014-6

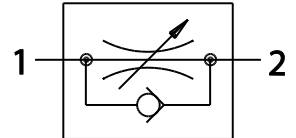


Drosselrückschlagventil mit konischem Außengewinde und Steckanschluss, gerade Form, Drosselung von Gewinde zu Schlauch

| Artikel Nr. | Typen Nr. | L mm | A mm | B (max) mm | B (min) mm | C mm | Ø D mm | Arbeitsdruck max. bar | Ø d mm | Gewinde | SW mm | E mm |
|-------------|------------|------|------|------------|------------|------|--------|-----------------------|--------|---------|-------|------|
| 135823 | 287.018-4 | 46,0 | 14,0 | 28,0 | 31,0 | 14,4 | 4 | 15 | 3,2 | R 1/8 | 10 | 7,5 |
| 135824 | 287.018-6 | 54,1 | 20,0 | 40,7 | 47,5 | 15,5 | 6 | 15 | 4,3 | R 1/8 | 12 | 7,5 |
| 135825 | 287.018-8 | 59,0 | 22,0 | 44,1 | 51,8 | 16,8 | 8 | 15 | 4,3 | R1/8 | 14 | 7,5 |
| 135826 | 287.014-6 | 56,6 | 20,0 | 40,7 | 47,5 | 15,5 | 6 | 15 | 4,3 | R 1/4 | 14 | 9,5 |
| 135827 | 287.014-8 | 61,0 | 22,0 | 44,1 | 51,8 | 16,8 | 8 | 15 | 4,3 | R 1/4 | 14 | 9,5 |
| 135828 | 287.014-10 | 71,4 | 26,0 | 47,7 | 55,3 | 19,5 | 10 | 15 | 4,3 | R 1/4 | 17 | 9,5 |
| 135829 | 287.014-12 | 82,8 | 32,0 | 52,0 | 58,0 | 22,3 | 12 | 15 | 4,3 | R1/4 | 21 | 9,5 |
| 135830 | 287.038-8 | 62,5 | 22,0 | 44,1 | 51,8 | 16,8 | 8 | 15 | 4,3 | R 3/8 | 17 | 10,5 |
| 135831 | 287.038-10 | 72,4 | 26,0 | 47,7 | 55,3 | 19,5 | 10 | 15 | 4,3 | R 3/8 | 17 | 10,5 |
| 135832 | 287.038-12 | 83,8 | 32,0 | 52,0 | 58,0 | 22,3 | 12 | 15 | 4,3 | R 3/8 | 21 | 10,5 |
| 135833 | 287.012-10 | 75,9 | 26,0 | 47,7 | 55,3 | 19,5 | 10 | 15 | 4,3 | R 1/2 | 21 | 13,5 |
| 135834 | 287.012-12 | 86,8 | 32,0 | 52,0 | 58,0 | 22,3 | 12 | 15 | 4,3 | R 1/2 | 21 | 13,5 |

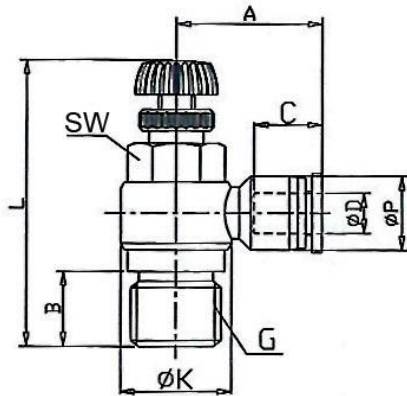


187.014-10

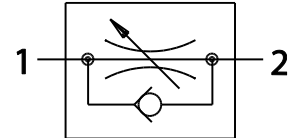


Drosselrückschlagventil mit Zuluftdrosselung, regulierbar mit Rändelschraube, Winkelform, drehbar, Außengewinde zylindrisch mit O-Ring (NBR)

| Artikel Nr. | Typen Nr. | L (max) mm | L (min) mm | A mm | B mm | C mm | Ø D mm | Arbeitsdruck max. bar | Ø P mm | Ø K mm | Gewinde | SW mm |
|-------------|------------|------------|------------|------|------|------|--------|-----------------------|--------|--------|---------|-------|
| 109977 | 187.005-4 | 31,9 | 29,0 | 20,0 | 3,5 | 14,9 | 4 | 15 | - | - | M5 | 8 |
| 109978 | 187.005-6 | 31,9 | 29,0 | 21,7 | 3,5 | 15,4 | 6 | 15 | - | - | M5 | 8 |
| 109979 | 187.018-4 | 44,0 | 37,8 | 22,3 | 6,0 | 14,9 | 4 | 15 | 10,0 | 14,4 | G 1/8 | 10 |
| 109980 | 187.018-6 | 44,0 | 37,8 | 22,9 | 6,0 | 15,4 | 6 | 15 | 12,0 | 14,4 | G 1/8 | 10 |
| 109981 | 187.018-8 | 44,0 | 37,8 | 25,3 | 6,0 | 17,8 | 8 | 15 | 14,0 | 14,4 | G 1/8 | 10 |
| 109982 | 187.018-10 | 44,0 | 37,8 | 30,1 | 6,0 | 20,4 | 10 | 15 | 17,0 | 14,4 | G 1/8 | 10 |
| 109983 | 187.014-4 | 51,0 | 44,0 | 24,0 | 8,3 | 14,9 | 4 | 15 | 10,0 | 18,3 | G 1/4 | 14 |
| 109984 | 187.014-6 | 51,0 | 44,0 | 24,9 | 8,3 | 15,4 | 6 | 15 | 12,0 | 18,3 | G 1/4 | 14 |
| 109985 | 187.014-8 | 51,0 | 44,0 | 28,4 | 8,3 | 17,8 | 8 | 15 | 14,0 | 18,3 | G 1/4 | 14 |
| 109986 | 187.014-10 | 51,0 | 44,0 | 32,0 | 8,3 | 20,4 | 10 | 15 | 17,0 | 18,3 | G 1/4 | 14 |
| 109987 | 187.014-12 | 51,0 | 44,0 | 32,0 | 8,3 | 22,9 | 12 | 15 | 20,0 | 18,3 | G 1/4 | 14 |
| 109988 | 187.038-8 | 55,0 | 48,7 | 29,3 | 9,5 | 17,8 | 8 | 15 | 14,0 | 22,0 | G 3/8 | 19 |
| 109989 | 187.038-10 | 55,0 | 48,7 | 32,5 | 9,5 | 20,4 | 10 | 15 | 17,0 | 22,0 | G 3/8 | 19 |
| 109990 | 187.038-12 | 55,0 | 48,7 | 35,3 | 9,5 | 22,9 | 12 | 15 | 20,0 | 22,0 | G 3/8 | 19 |
| 109991 | 187.012-8 | 59,2 | 53,0 | 32,3 | 13,0 | 17,8 | 8 | 15 | 14,0 | 28,0 | G 1/2 | 24 |
| 109992 | 187.012-10 | 59,2 | 53,0 | 35,5 | 13,0 | 20,4 | 10 | 15 | 17,0 | 28,0 | G 1/2 | 24 |
| 109993 | 187.012-12 | 59,2 | 53,0 | 36,3 | 13,0 | 22,9 | 12 | 15 | 20,0 | 28,0 | G 1/2 | 24 |



188.018-6

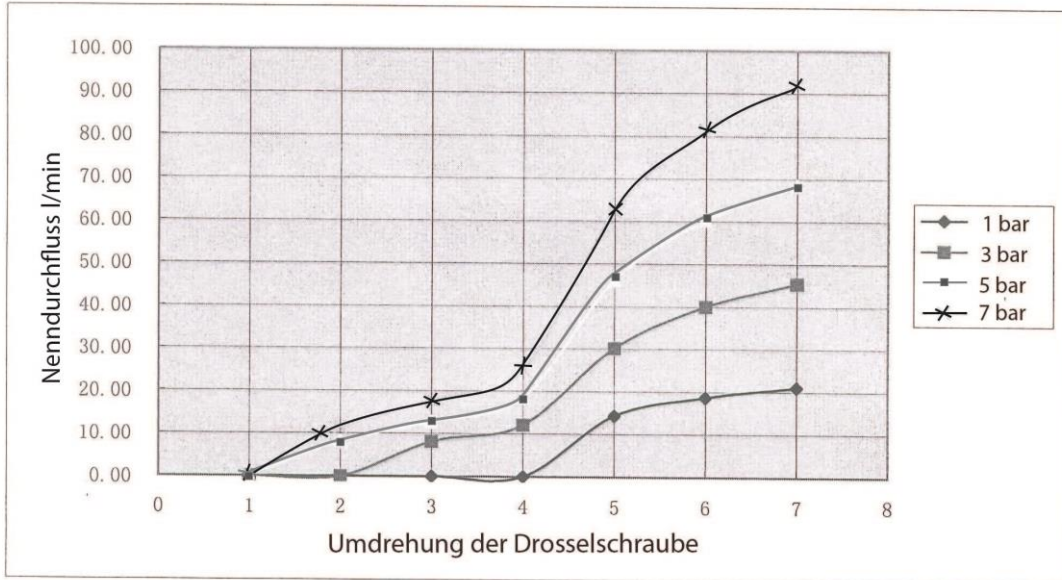


Drosselrückschlagventil mit Abluftdrosselung, regulierbar mit Rändelschraube, Winkelform, drehbar, Außengewinde zylindrisch mit O-Ring (NBR)

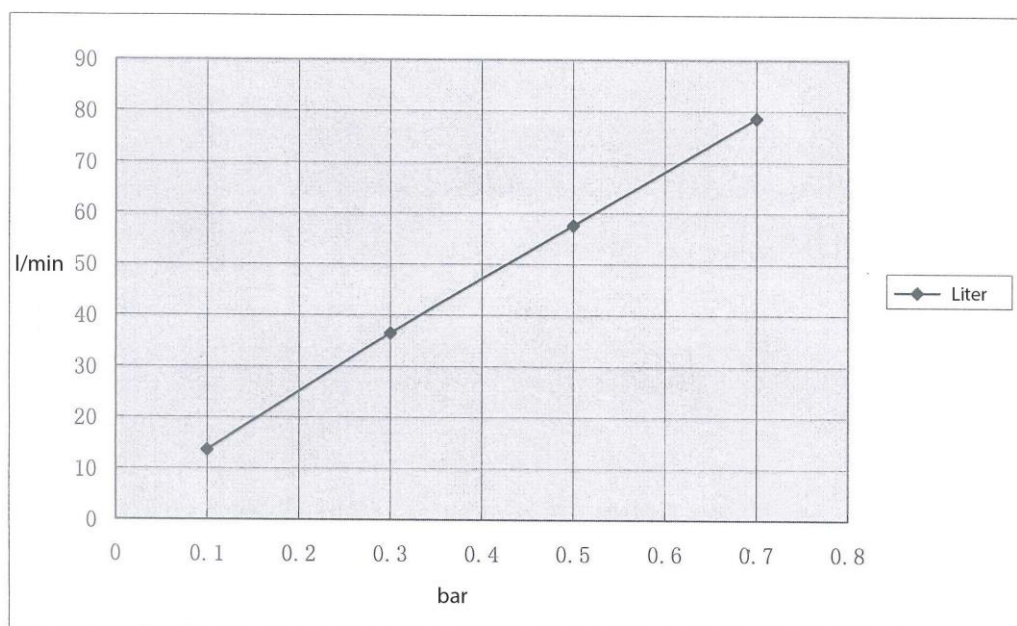
| Artikel Nr. | Typen Nr. | L (max) mm | L (min) mm | A mm | B mm | C mm | Ø D mm | Arbeitsdruck max. bar | Ø P mm | Ø K mm | Gewinde | SW mm |
|-------------|------------|------------|------------|------|------|------|--------|-----------------------|--------|--------|---------|-------|
| 110011 | 188.005-4 | 31,9 | 29,0 | 20,0 | 3,5 | 14,9 | 4 | 15 | - | - | M5 | 8 |
| 110012 | 188.005-6 | 31,9 | 29,0 | 21,7 | 3,5 | 15,4 | 6 | 15 | - | - | M5 | 8 |
| 110013 | 188.018-4 | 44,0 | 37,8 | 22,3 | 6,0 | 14,9 | 4 | 15 | 10,0 | 14,4 | G 1/8 | 10 |
| 110014 | 188.018-6 | 44,0 | 37,8 | 22,9 | 6,0 | 15,4 | 6 | 15 | 12,0 | 14,4 | G 1/8 | 10 |
| 110015 | 188.018-8 | 44,0 | 37,8 | 25,3 | 6,0 | 17,8 | 8 | 15 | 14,0 | 14,4 | G 1/8 | 10 |
| 110016 | 188.018-10 | 44,0 | 37,8 | 30,1 | 6,0 | 20,4 | 10 | 15 | 17,0 | 14,4 | G 1/8 | 10 |
| 110017 | 188.014-4 | 51,0 | 44,0 | 24,0 | 8,3 | 14,9 | 4 | 15 | 10,0 | 18,3 | G 1/4 | 14 |
| 110018 | 188.014-6 | 51,0 | 44,0 | 24,9 | 8,3 | 15,4 | 6 | 15 | 12,0 | 18,3 | G 1/4 | 14 |
| 110019 | 188.014-8 | 51,0 | 44,0 | 28,4 | 8,3 | 17,8 | 8 | 15 | 14,0 | 18,3 | G 1/4 | 14 |
| 110020 | 188.014-10 | 51,0 | 44,0 | 32,0 | 8,3 | 20,4 | 10 | 15 | 17,0 | 18,3 | G 1/4 | 14 |
| 110021 | 188.014-12 | 51,0 | 44,0 | 32,0 | 8,3 | 22,9 | 12 | 15 | 20,0 | 18,3 | G 1/4 | 14 |
| 110022 | 188.038-8 | 55,0 | 48,7 | 29,3 | 9,5 | 17,8 | 8 | 15 | 14,0 | 22,0 | G 3/8 | 19 |
| 110023 | 188.038-10 | 55,0 | 48,7 | 32,5 | 9,5 | 20,4 | 10 | 15 | 17,0 | 22,0 | G 3/8 | 19 |
| 110024 | 188.038-12 | 55,0 | 48,7 | 35,3 | 9,5 | 22,9 | 12 | 15 | 20,0 | 22,0 | G 3/8 | 19 |
| 110025 | 188.012-8 | 59,2 | 53,0 | 32,3 | 13,0 | 17,8 | 8 | 15 | 14,0 | 28,0 | G 1/2 | 24 |
| 110026 | 188.012-10 | 59,2 | 53,0 | 35,5 | 13,0 | 20,4 | 10 | 15 | 17,0 | 28,0 | G 1/2 | 24 |
| 110027 | 188.012-12 | 59,2 | 53,0 | 36,3 | 13,0 | 22,9 | 12 | 15 | 20,0 | 28,0 | G 1/2 | 24 |

Artikel Nr. 110011

| | 1 | 2 | 3 | 4 | 5 | 6 | 7 |
|-------|------|-------|-------|-------|-------|-------|-------|
| 1 bar | 0.00 | 0.00 | 0.00 | 0.00 | 14.27 | 18.66 | 21.07 |
| 3 bar | 0 | 0 | 8.1 | 12.08 | 30.18 | 40.09 | 45.45 |
| 5 bar | 0.01 | 8.1 | 12.73 | 18.45 | 46.14 | 60.34 | 68.5 |
| 7 bar | 0.01 | 11.43 | 17.77 | 25.01 | 62.32 | 81.38 | 91.97 |

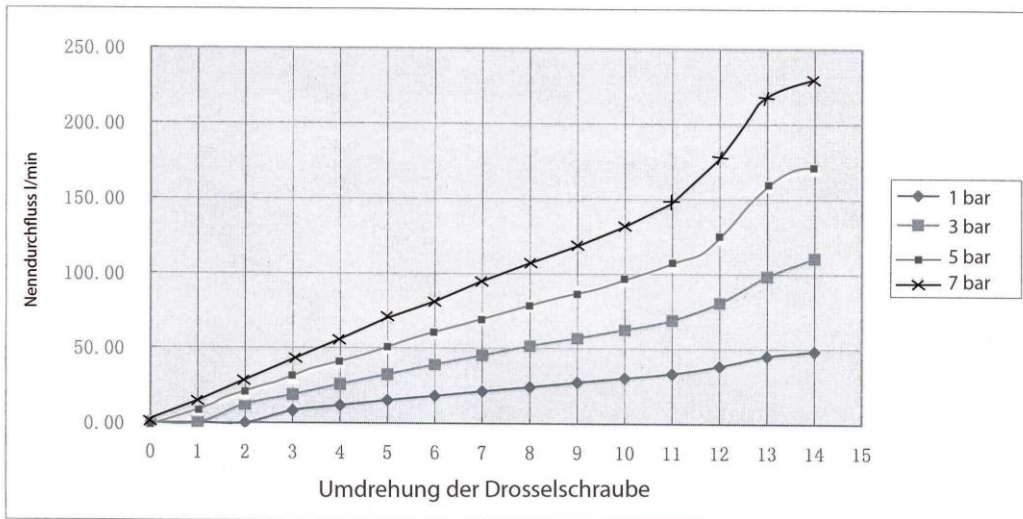

Artikel Nr. 110011

| | | | | |
|-------|-------|------|------|------|
| bar | 0.1 | 0.3 | 0.5 | 0.7 |
| l/min | 13.62 | 36.5 | 57.6 | 78.6 |



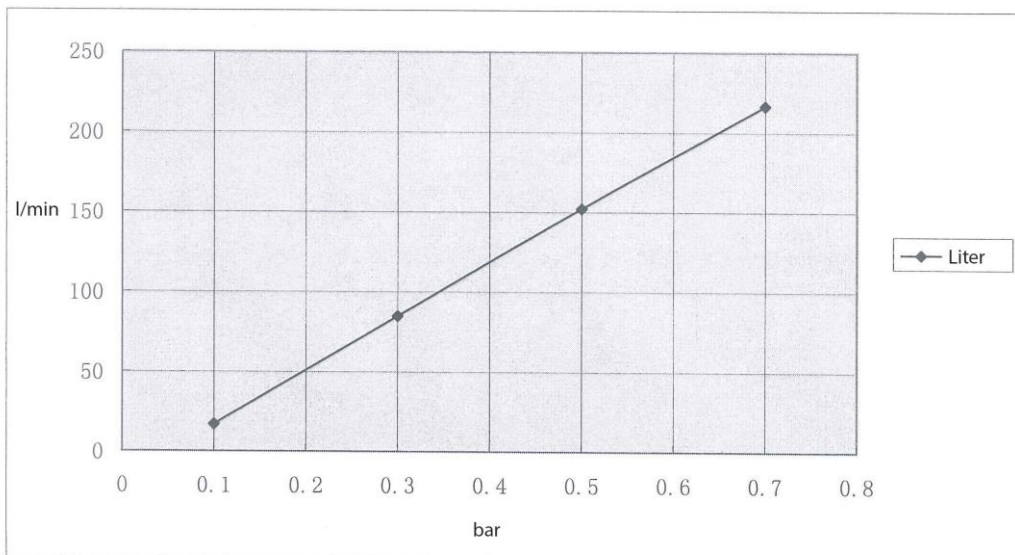
Artikel Nr. 10015

| | 0 | 1 | 2 | 3 | 4 | 5 | 6 | 7 | 8 | 9 | 10 | 11 | 12 | 13 | 14 |
|-------|------|-------|-------|-------|-------|-------|-------|-------|--------|--------|--------|-------|--------|--------|--------|
| 1 bar | 0.00 | 0.00 | 0.00 | 8.11 | 11.62 | 15.14 | 18.24 | 21.48 | 24.34 | 27.42 | 30.35 | 33.32 | 38.39 | 45.19 | 48.42 |
| 3 bar | 0 | 0 | 12.07 | 18.86 | 25.88 | 32.44 | 39.11 | 45.41 | 51.79 | 57.03 | 62.86 | 69.43 | 81.02 | 98.84 | 110.93 |
| 5 bar | 0 | 8.1 | 19.08 | 29.63 | 40.54 | 50.61 | 60.28 | 70.06 | 78.99 | 88.3 | 96.14 | 106.1 | 124.05 | 158.94 | 170.3 |
| 7 bar | 0 | 12.94 | 27.19 | 41.5 | 56 | 69.75 | 83.25 | 95.31 | 107.53 | 119.25 | 131.67 | 146.5 | 177.67 | 218.83 | 229.44 |



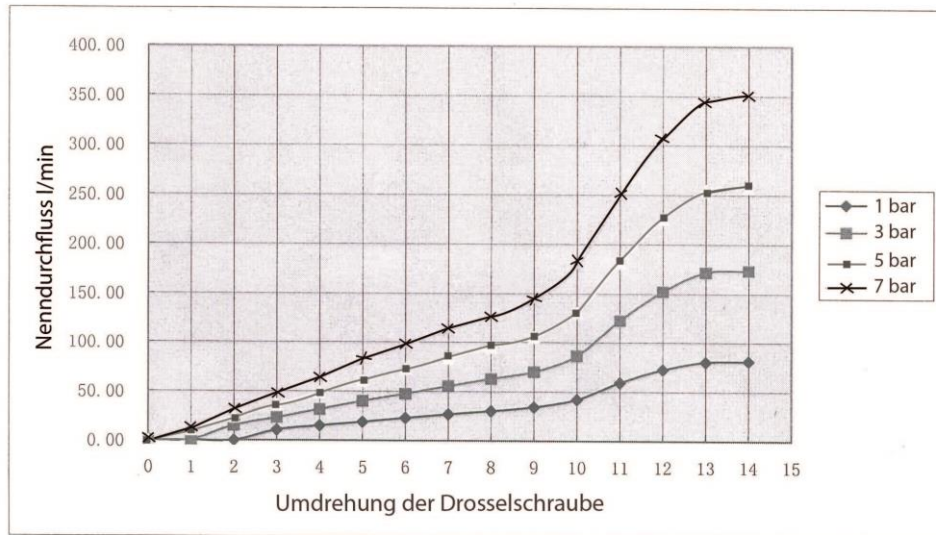
Artikel Nr. 110015

| | | | | |
|-------|------|-------|--------|--------|
| bar | 0.1 | 0.3 | 0.5 | 0.7 |
| l/min | 17.1 | 84.77 | 152.27 | 216.59 |



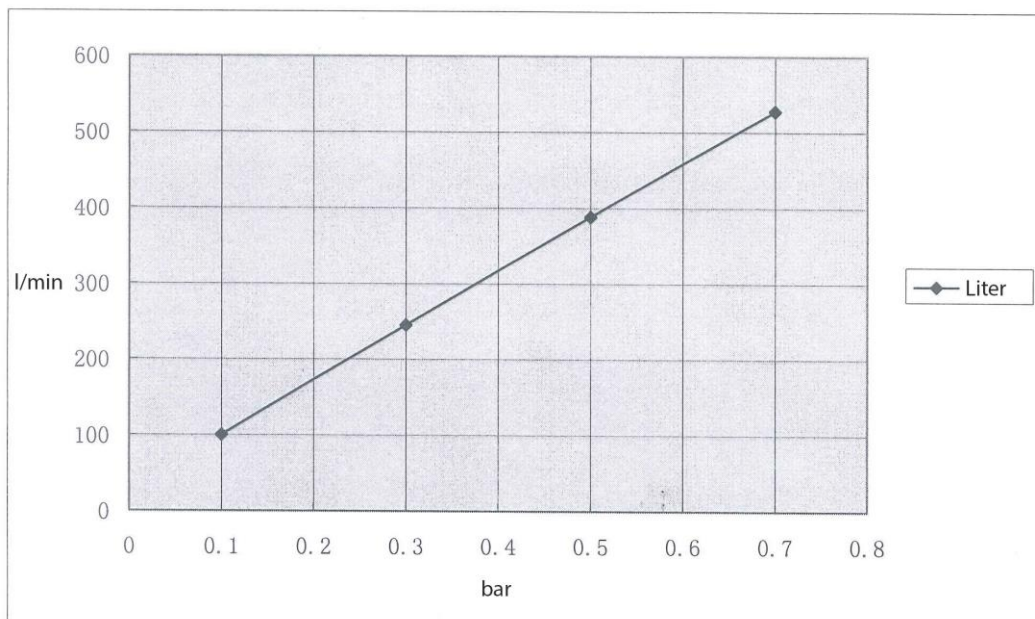
Artikel Nr. 110019

| | 0 | 1 | 2 | 3 | 4 | 5 | 6 | 7 | 8 | 9 | 10 | 11 | 12 | 13 | 14 |
|-------|------|-------|-------|-------|-------|-------|-------|--------|--------|--------|--------|--------|--------|--------|--------|
| 1 bar | 0.00 | 0.00 | 0.00 | 10.67 | 14.93 | 18.70 | 22.80 | 26.73 | 30.20 | 34.18 | 42.04 | 59.20 | 72.43 | 80.14 | 81.12 |
| 3 bar | 0.01 | 0.76 | 14.95 | 23.23 | 31.50 | 39.93 | 47.46 | 55.31 | 62.93 | 70.18 | 86.48 | 122.74 | 152.26 | 171.74 | 173.57 |
| 5 bar | 0.00 | 10.69 | 23.66 | 35.91 | 48.71 | 60.51 | 72.68 | 83.67 | 94.71 | 105.30 | 130.89 | 181.34 | 225.50 | 254.66 | 257.48 |
| 7 bar | 0.00 | 13.85 | 31.43 | 48.41 | 65.34 | 81.65 | 96.49 | 111.32 | 126.30 | 141.71 | 177.11 | 247.48 | 306.09 | 344.31 | 349.86 |



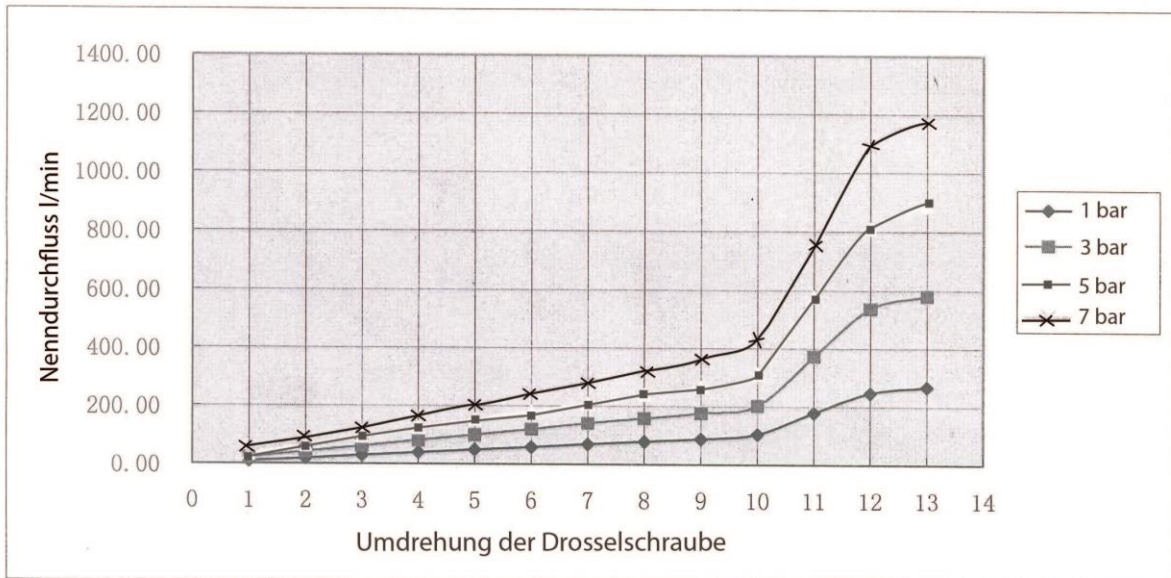
Artikel Nr. 110019

| | | | | |
|-------|--------|--------|--------|-------|
| bar | 0.1 | 0.3 | 0.5 | 0.7 |
| l/min | 100.18 | 245.36 | 388.48 | 527.9 |



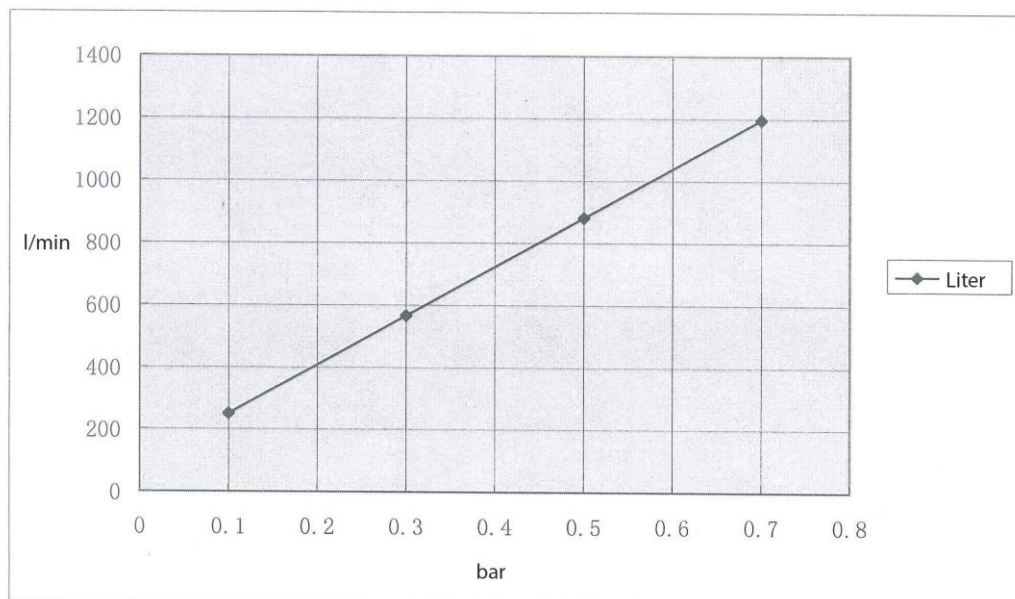
Artikel Nr. 110023

| | 1 | 2 | 3 | 4 | 5 | 6 | 7 | 8 | 9 | 10 | 11 | 12 | 13 |
|-------|-------|-------|--------|--------|--------|--------|--------|--------|--------|--------|--------|---------|---------|
| 1 bar | 9.22 | 18.54 | 29.63 | 39.55 | 49.21 | 58.98 | 69.34 | 78.72 | 87.64 | 104.22 | 179.24 | 246.45 | 268.07 |
| 3 bar | 21.09 | 41.88 | 61.52 | 81.93 | 100.39 | 120.00 | 140.77 | 158.96 | 176.57 | 202.83 | 372.27 | 537.98 | 581.49 |
| 5 bar | 33.99 | 64.07 | 94.28 | 123.36 | 152.83 | 181.05 | 207.78 | 240.49 | 267.20 | 312.19 | 577.88 | 810.92 | 887.45 |
| 7 bar | 47.13 | 87.24 | 126.42 | 167.72 | 202.60 | 246.45 | 285.40 | 323.02 | 362.16 | 432.43 | 750.53 | 1090.98 | 1183.22 |



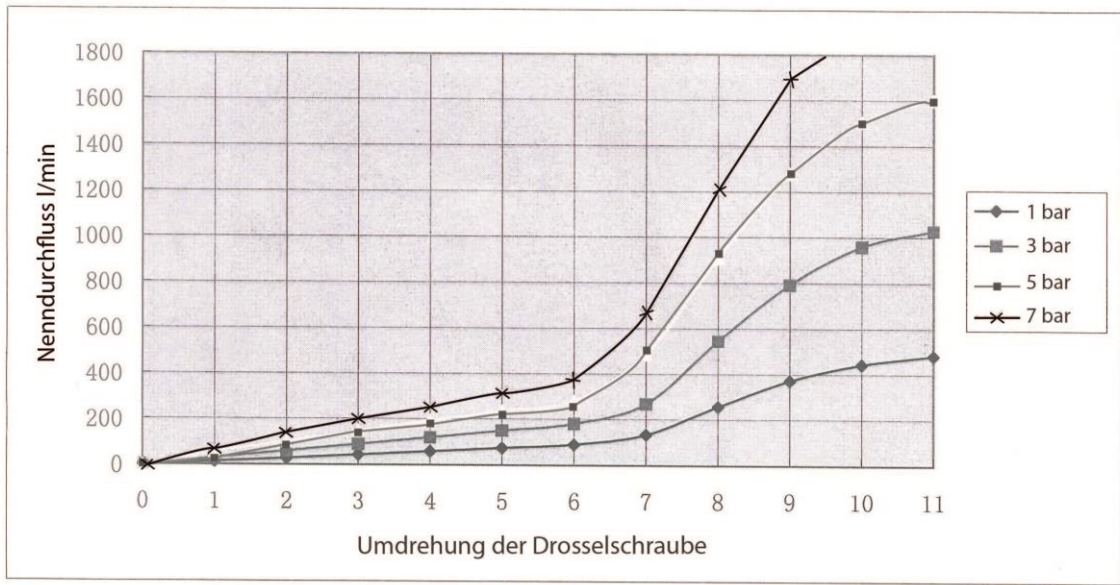
Artikel Nr. 110023

| | | | | |
|-------|--------|-------|--------|---------|
| bar | 0.1 | 0.3 | 0.5 | 0.7 |
| l/min | 251.15 | 566.5 | 881.35 | 1196.54 |



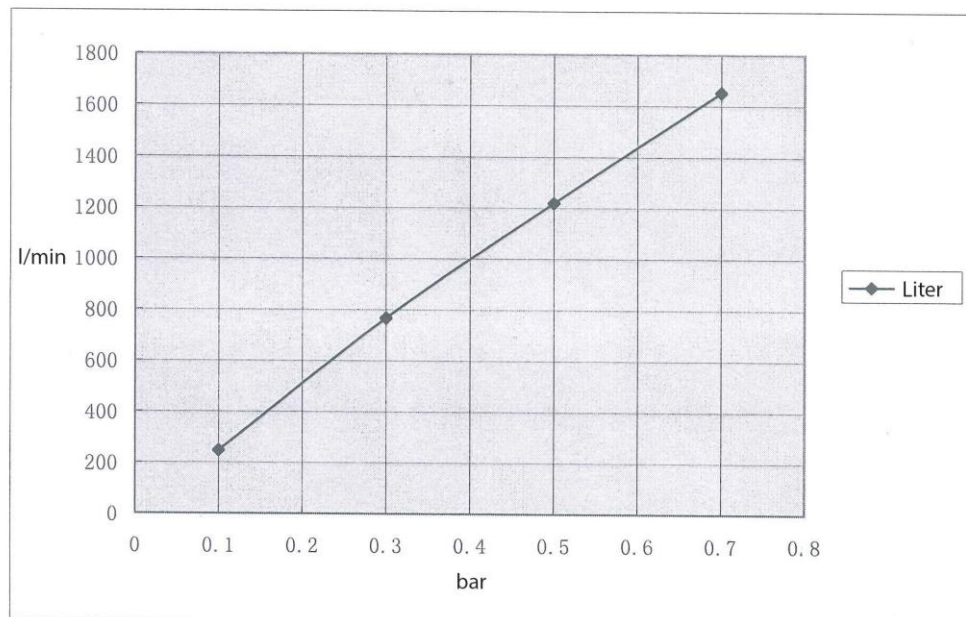
Artikel Nr. 110027

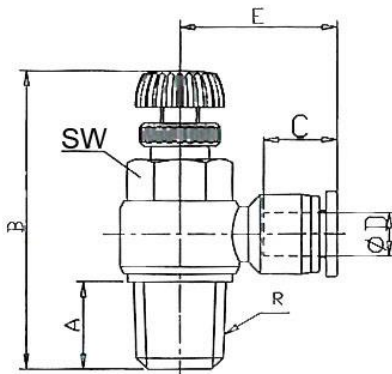
| | 0 | 1 | 2 | 3 | 4 | 5 | 6 | 7 | 8 | 9 | 10 | 11 |
|-------|---|-------|--------|--------|--------|--------|--------|--------|---------|---------|---------|---------|
| 1 bar | 0 | 12.96 | 28.09 | 43.70 | 58.98 | 74.37 | 90.11 | 134.66 | 256.28 | 371.36 | 443.91 | 481.96 |
| 3 bar | 0 | 29.73 | 59.59 | 89.80 | 120.29 | 151.26 | 180.84 | 268.78 | 545.48 | 791.67 | 958.91 | 1028.69 |
| 5 bar | 0 | 53.92 | 100.73 | 147.81 | 192.32 | 235.39 | 280.57 | 487.92 | 906.52 | 1278.55 | 1504.68 | 1603.00 |
| 7 bar | 0 | 73.49 | 136.74 | 197.20 | 257.16 | 321.73 | 381.90 | 664.30 | 1196.58 | 1684.88 | | |



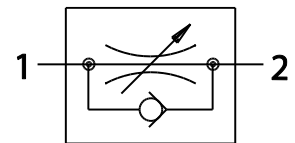
Artikel Nr. 110027

| bar | 0.1 | 0.3 | 0.5 | 0.7 |
|-------|--------|--------|---------|--------|
| l/min | 247.42 | 767.17 | 1219.37 | 1653.1 |



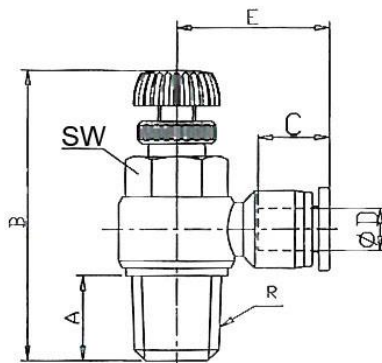


185.014-10

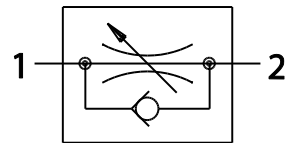


Drosselrückschlagventil mit Zuluftdrosselung, regulierbar mit Rändelschraube, Winkelform, drehbar, Außengewinde konisch mit Gewindebeschichtung

| Artikel Nr. | Typen Nr. | Ø D mm | Gewinde | Arbeitsdruck max. bar | A mm | SW mm | E mm | B (max) mm | B (min) mm | C mm | L mm |
|-------------|------------|--------|---------|-----------------------|------|-------|------|------------|------------|------|------|
| 109994 | 185.018-4 | 4 | R 1/8 | 15 | 7,5 | 10 | 22,3 | 44,0 | 37,8 | 14,9 | 37,8 |
| 109995 | 185.018-6 | 6 | R 1/8 | 15 | 7,5 | 10 | 22,9 | 44,0 | 37,8 | 15,4 | 37,8 |
| 109996 | 185.018-8 | 8 | R 1/8 | 15 | 7,5 | 10 | 25,3 | 44,0 | 37,8 | 17,8 | 37,8 |
| 109997 | 185.018-10 | 10 | R 1/8 | 15 | 7,5 | 10 | 30,1 | 44,0 | 37,8 | 20,5 | 37,8 |
| 109998 | 185.014-4 | 4 | R 1/4 | 15 | 11,2 | 14 | 24,1 | 51,0 | 44,0 | 14,9 | 44,0 |
| 109999 | 185.014-6 | 6 | R 1/4 | 15 | 11,2 | 14 | 24,9 | 51,0 | 44,0 | 15,4 | 44,0 |
| 110000 | 185.014-8 | 8 | R 1/4 | 15 | 11,2 | 14 | 28,4 | 51,0 | 44,0 | 17,8 | 44,0 |
| 110001 | 185.014-10 | 10 | R 1/4 | 15 | 11,2 | 14 | 32,0 | 51,0 | 44,0 | 20,5 | 44,0 |
| 110002 | 185.014-12 | 12 | R 1/4 | 15 | 11,2 | 14 | 32,0 | 51,0 | 44,0 | 22,9 | 44,0 |
| 110003 | 185.038-6 | 6 | R 3/8 | 15 | 12,3 | 19 | 26,6 | 55,0 | 48,7 | 15,4 | 48,7 |
| 110004 | 185.038-8 | 8 | R 3/8 | 15 | 12,3 | 19 | 29,2 | 55,0 | 48,7 | 17,8 | 48,7 |
| 110005 | 185.038-10 | 10 | R 3/8 | 15 | 12,3 | 19 | 32,5 | 55,0 | 48,7 | 20,5 | 48,7 |
| 110006 | 185.038-12 | 12 | R 3/8 | 15 | 12,3 | 19 | 35,3 | 55,0 | 48,7 | 22,9 | 48,7 |
| 110007 | 185.012-6 | 6 | R 1/2 | 15 | 14,0 | 24 | 29,6 | 59,2 | 53,0 | 15,4 | 53,0 |
| 110008 | 185.012-8 | 8 | R 1/2 | 15 | 14,0 | 24 | 32,3 | 59,2 | 53,0 | 17,8 | 53,0 |
| 110009 | 185.012-10 | 10 | R 1/2 | 15 | 14,0 | 24 | 35,5 | 59,2 | 53,0 | 20,5 | 53,0 |
| 110010 | 185.012-12 | 12 | R 1/2 | 15 | 14,0 | 24 | 36,3 | 59,2 | 53,0 | 22,9 | 53,0 |



186.014-10

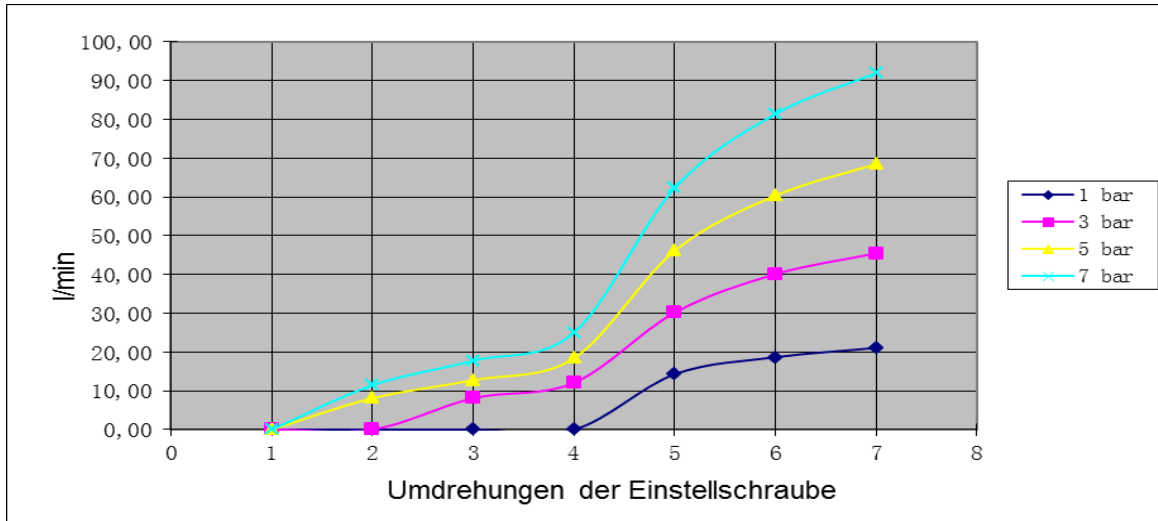


Drosselrückschlagventil mit Abluftdrosslung, regulierbar mit Rändelschraube, Winkelform, drehbar, Außengewinde konisch mit Gewindebeschichtung

| Artikel Nr. | Typen Nr. | Ø D mm | Gewinde | Arbeitsdruck max. bar | A mm | SW mm | E mm | B (max) mm | B (min) mm | C mm | L mm |
|-------------|------------|--------|---------|-----------------------|------|-------|------|------------|------------|------|------|
| 110044 | 186.018-4 | 4 | R 1/8 | 15 | 7,5 | 10 | 22,3 | 44,0 | 37,8 | 14,9 | 36,7 |
| 110045 | 186.018-6 | 6 | R 1/8 | 15 | 7,5 | 10 | 22,9 | 44,0 | 37,8 | 15,4 | 36,7 |
| 110046 | 186.018-8 | 8 | R 1/8 | 15 | 7,5 | 10 | 24,8 | 44,0 | 37,8 | 17,8 | 36,7 |
| 110047 | 186.018-10 | 10 | R 1/8 | 15 | 7,5 | 10 | 30,1 | 44,0 | 37,8 | 20,5 | 36,7 |
| 110048 | 186.014-4 | 4 | R 1/4 | 15 | 11,2 | 14 | 24,1 | 51,0 | 44,0 | 14,9 | 44,2 |
| 110049 | 186.014-6 | 6 | R 1/4 | 15 | 11,2 | 14 | 24,9 | 51,0 | 44,0 | 15,4 | 44,2 |
| 110050 | 186.014-8 | 8 | R 1/4 | 15 | 11,2 | 14 | 28,4 | 51,0 | 44,0 | 17,8 | 44,2 |
| 110051 | 186.014-10 | 10 | R 1/4 | 15 | 11,2 | 14 | 32,0 | 51,0 | 44,0 | 20,5 | 44,2 |
| 110052 | 186.014-12 | 12 | R 1/4 | 15 | 11,2 | 14 | 32,0 | 51,0 | 44,0 | 22,9 | 44,2 |
| 110053 | 186.038-6 | 6 | R 3/8 | 15 | 12,3 | 19 | 26,6 | 55,0 | 48,7 | 15,4 | 49,0 |
| 110054 | 186.038-8 | 8 | R 3/8 | 15 | 12,3 | 19 | 29,2 | 55,0 | 48,7 | 17,8 | 49,0 |
| 110055 | 186.038-10 | 10 | R 3/8 | 15 | 12,3 | 19 | 32,5 | 55,0 | 48,7 | 20,5 | 49,0 |
| 110056 | 186.038-12 | 12 | R 3/8 | 15 | 12,3 | 19 | 35,3 | 55,0 | 48,7 | 22,9 | 49,0 |
| 110057 | 186.012-6 | 6 | R 1/2 | 15 | 14,0 | 24 | 29,6 | 59,2 | 53,0 | 15,4 | 55,8 |
| 110058 | 186.012-8 | 8 | R 1/2 | 15 | 14,0 | 24 | 32,3 | 59,2 | 53,0 | 17,8 | 55,8 |
| 110059 | 186.012-10 | 10 | R 1/2 | 15 | 14,0 | 24 | 35,5 | 59,2 | 53,0 | 20,5 | 55,8 |
| 110060 | 186.012-12 | 12 | R 1/2 | 15 | 14,0 | 24 | 36,3 | 59,2 | 53,0 | 22,9 | 55,8 |

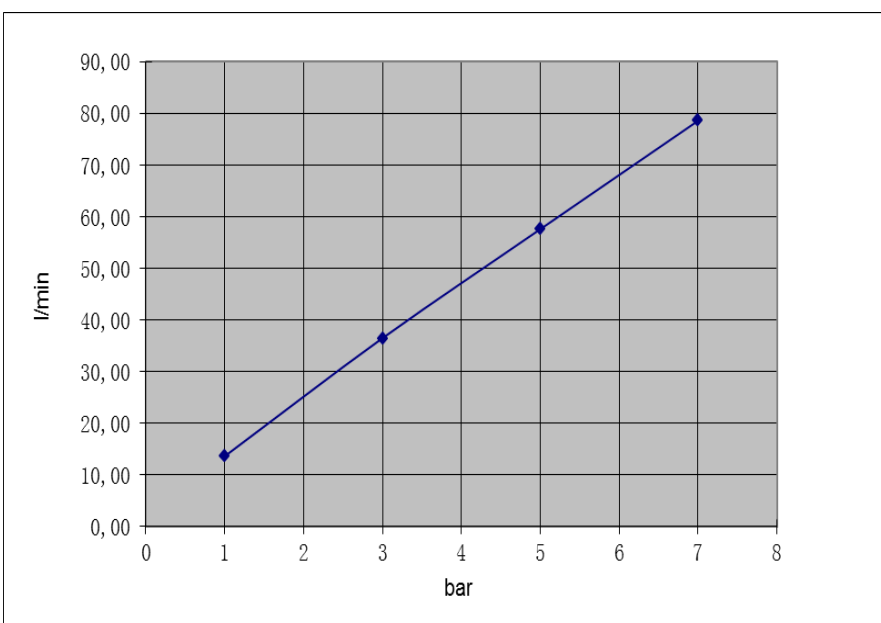
Durchflüsse zu Typen Nr. 188.005-4 und 188.005-6

| | 1 | 2 | 3 | 4 | 5 | 6 | 7 |
|-------|------|-------|-------|-------|-------|-------|-------|
| 1 bar | 0,00 | 0,00 | 0,00 | 0,00 | 14,27 | 18,66 | 21,07 |
| 3 bar | 0,00 | 0,00 | 8,10 | 12,08 | 30,18 | 40,09 | 45,45 |
| 5 bar | 0,01 | 8,10 | 12,73 | 18,45 | 46,14 | 60,34 | 68,50 |
| 7 bar | 0,01 | 11,43 | 17,77 | 25,01 | 62,32 | 81,38 | 91,97 |



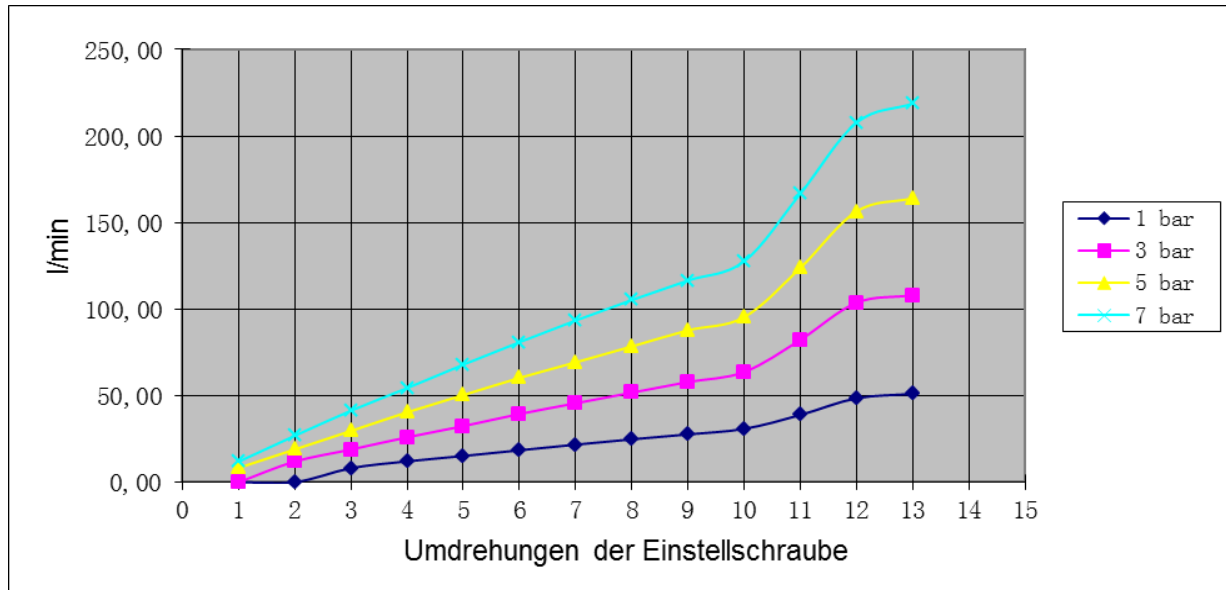
Freier Durchgang

| Druck - bar | 1 | 3 | 5 | 7 |
|--------------------|-------|-------|-------|-------|
| Durchfluss - l/min | 13,62 | 36,50 | 57,60 | 78,60 |

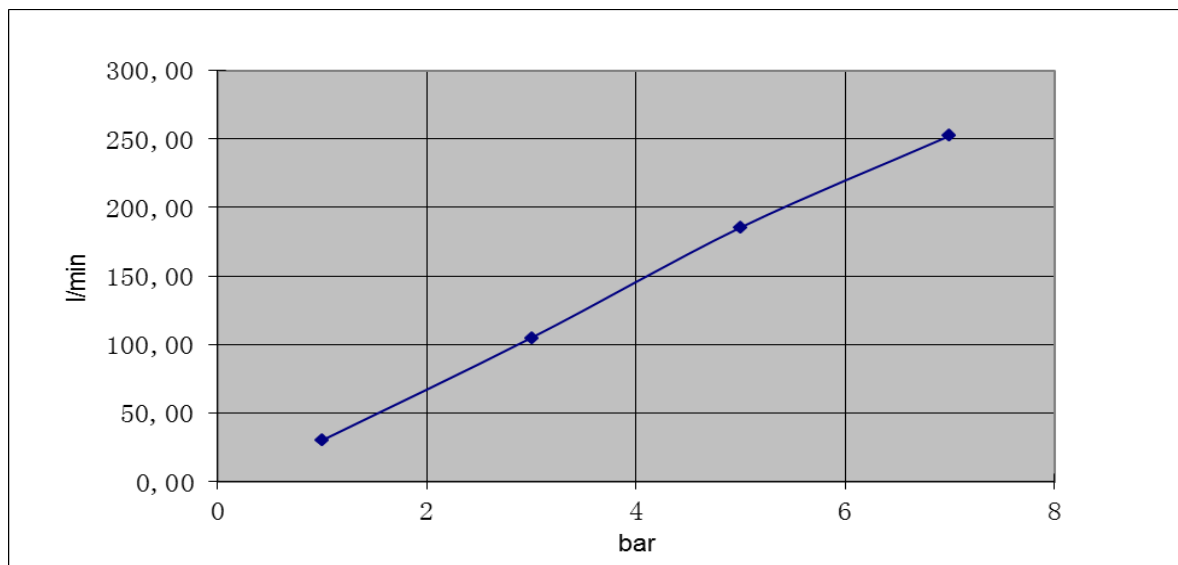


Durchflüsse zu Typen Nr. 188.018-4, 188.018-6 und 188.018-8; 186.018-4, 186.018-6 und 186.018-8

| | 0 | 1 | 2 | 3 | 4 | 5 | 6 | 7 | 8 | 9 | 10 | 11 | 12 | 13 |
|-------|------|-------|-------|-------|-------|-------|-------|-------|--------|--------|--------|--------|--------|--------|
| 1 bar | 0,00 | 0,00 | 0,00 | 8,10 | 12,04 | 15,14 | 18,47 | 21,72 | 24,76 | 27,65 | 30,82 | 38,87 | 48,51 | 50,99 |
| 3 bar | 0,00 | 0,00 | 11,93 | 18,86 | 25,95 | 32,41 | 39,41 | 45,59 | 51,74 | 57,89 | 63,68 | 82,28 | 103,71 | 107,91 |
| 5 bar | 0,00 | 8,26 | 18,93 | 29,59 | 40,36 | 50,37 | 60,24 | 69,27 | 78,43 | 87,76 | 95,39 | 123,85 | 156,48 | 164,07 |
| 7 bar | 0,00 | 11,84 | 26,82 | 41,33 | 54,37 | 67,93 | 80,91 | 93,42 | 105,22 | 116,51 | 127,59 | 166,75 | 207,75 | 218,75 |

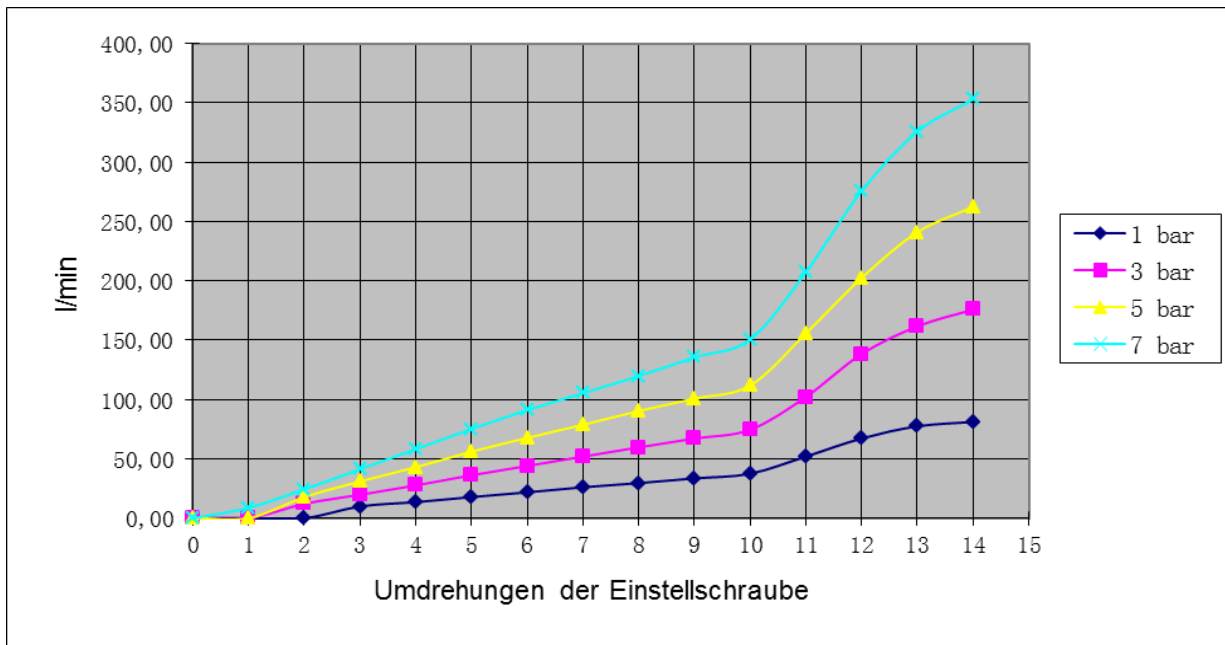

Freier Durchgang

| Druck - bar | 1 | 3 | 5 | 7 |
|--------------------|-------|--------|--------|--------|
| Durchfluss - l/min | 30,30 | 105,00 | 185,48 | 252,31 |



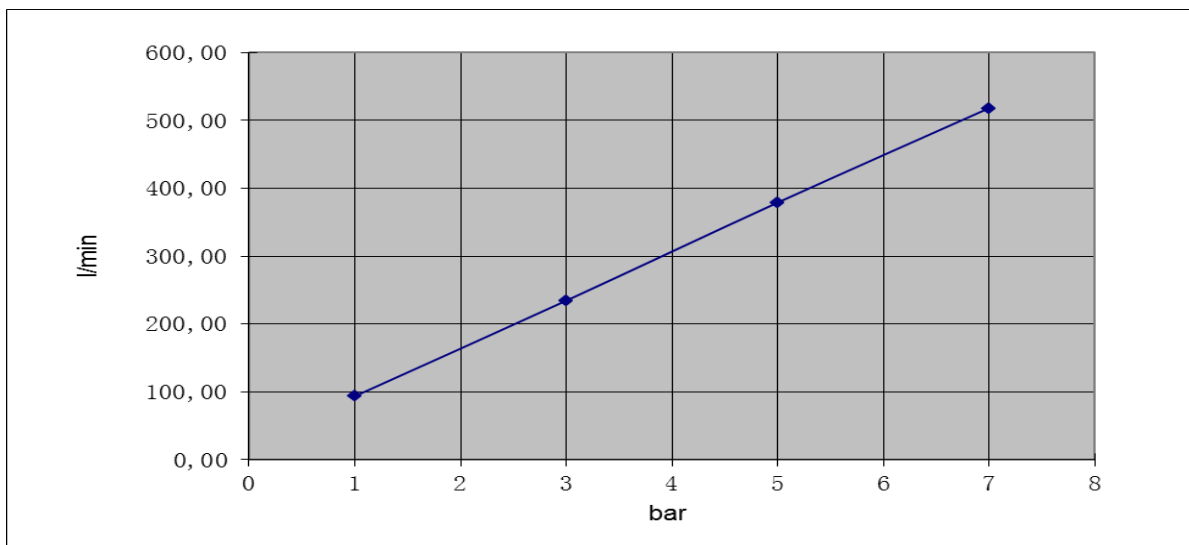
Durchflüsse zu Typen Nr. 188.014-6, 188.014-8 und 188.014-10; 186.014-6, 186.014-8 und 186.014-10

| | 0 | 1 | 2 | 3 | 4 | 5 | 6 | 7 | 8 | 9 | 10 | 11 | 12 | 13 | 14 |
|-------|------|------|-------|-------|-------|-------|-------|--------|--------|--------|--------|--------|--------|--------|--------|
| 1 bar | 0,00 | 0,00 | 0,01 | 9,88 | 13,50 | 17,75 | 21,80 | 26,06 | 29,57 | 33,53 | 37,46 | 51,92 | 67,16 | 77,45 | 81,14 |
| 3 bar | 0,00 | 0,00 | 12,06 | 19,72 | 27,60 | 36,15 | 44,01 | 51,93 | 59,66 | 67,12 | 74,58 | 102,21 | 138,39 | 161,70 | 175,86 |
| 5 bar | 0,13 | 0,00 | 17,72 | 31,02 | 42,95 | 56,06 | 67,66 | 78,79 | 90,33 | 100,75 | 111,83 | 155,75 | 202,57 | 241,09 | 262,37 |
| 7 bar | 0,01 | 8,78 | 24,36 | 41,24 | 58,14 | 75,12 | 91,13 | 105,34 | 119,82 | 135,47 | 150,71 | 207,39 | 275,80 | 325,70 | 353,15 |



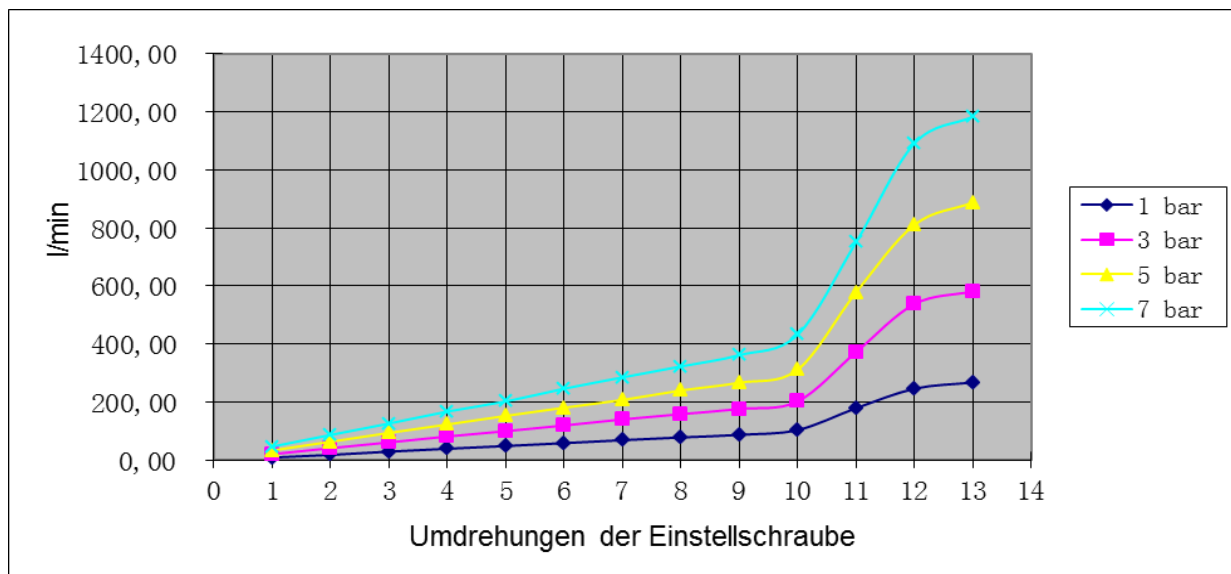
Freier Durchgang

| Druck - bar | 1 | 3 | 5 | 7 |
|--------------------|-------|--------|--------|--------|
| Durchfluss - l/min | 93,55 | 234,41 | 378,98 | 518,19 |

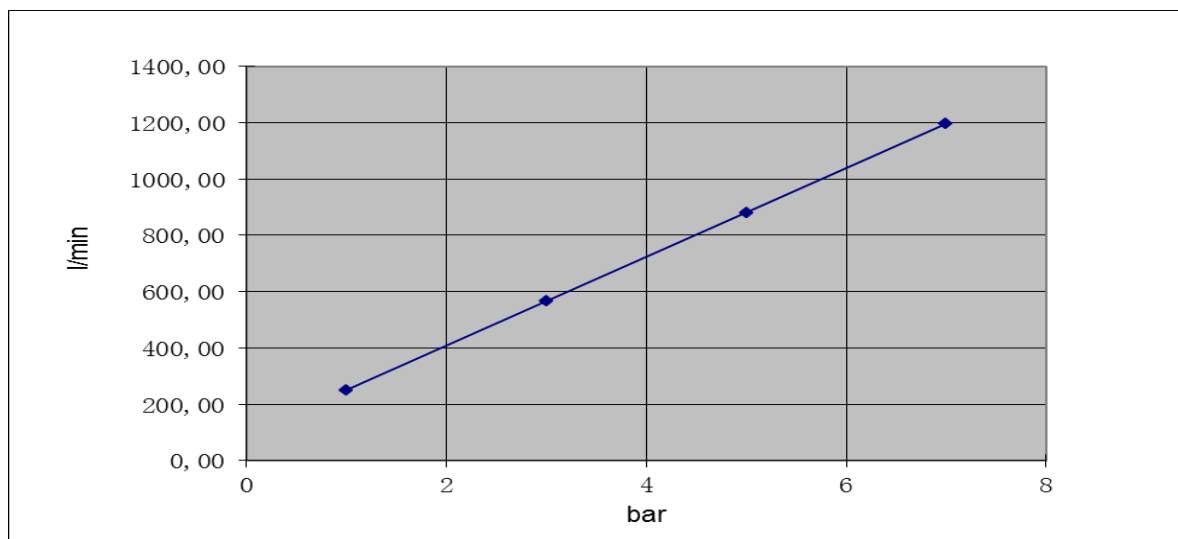


Durchflüsse zu Typen Nr. 188.038-8, 188.038-10 und 188.038-12; 186.0138-6, 186.038-8 und 186.038-10

| | 1 | 2 | 3 | 4 | 5 | 6 | 7 | 8 | 9 | 10 | 11 | 12 | 13 |
|-------|-------|-------|--------|--------|--------|--------|--------|--------|--------|--------|--------|---------|---------|
| 1 bar | 9,22 | 18,54 | 29,63 | 39,55 | 49,21 | 58,98 | 69,34 | 78,72 | 87,64 | 104,22 | 179,24 | 246,45 | 268,07 |
| 3 bar | 21,09 | 41,88 | 61,52 | 81,93 | 100,39 | 120,00 | 140,77 | 158,96 | 176,57 | 202,83 | 372,27 | 537,98 | 581,49 |
| 5 bar | 33,99 | 64,07 | 94,28 | 123,36 | 152,83 | 181,05 | 207,78 | 240,49 | 267,20 | 312,19 | 577,88 | 810,92 | 887,45 |
| 7 bar | 47,13 | 87,24 | 126,42 | 167,72 | 202,60 | 246,45 | 285,40 | 323,02 | 362,16 | 432,43 | 750,53 | 1090,98 | 1183,22 |

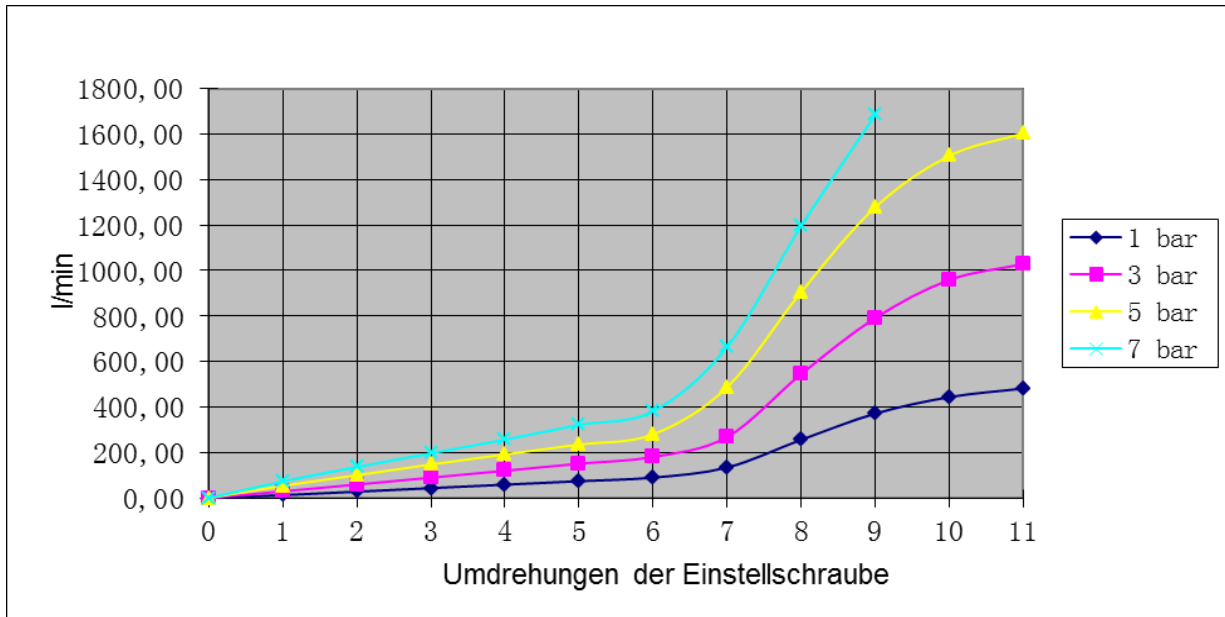

Freier Durchgang

| Druck - bar | 1 | 3 | 5 | 7 |
|--------------------|--------|--------|--------|---------|
| Durchfluss - l/min | 251,15 | 566,50 | 881,35 | 1196,54 |



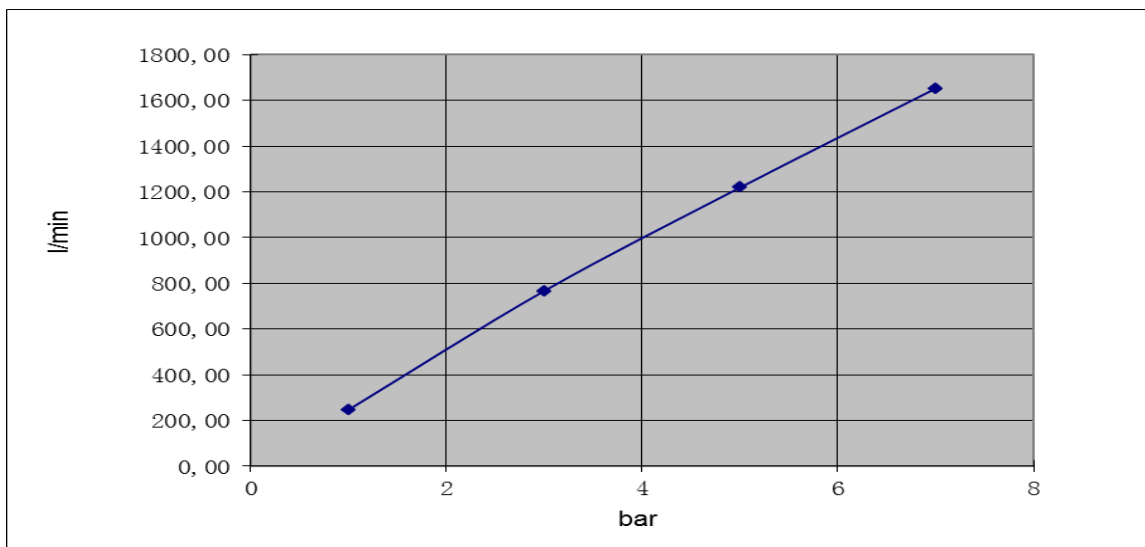
Durchflüsse zu Typen Nr. 188.012-8, 188.012-10 und 188.012-12; 186.012-8, 186.012-10 und 186.012-12

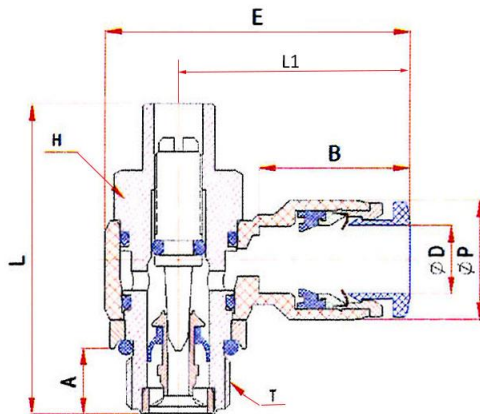
| | 0 | 1 | 2 | 3 | 4 | 5 | 6 | 7 | 8 | 9 | 10 | 11 |
|-------|------|-------|--------|--------|--------|--------|--------|--------|---------|---------|---------|---------|
| 1 bar | 0,00 | 12,96 | 28,09 | 43,70 | 58,98 | 74,37 | 90,11 | 134,66 | 256,28 | 371,36 | 443,91 | 481,96 |
| 3 bar | 0,00 | 29,73 | 59,59 | 89,80 | 120,29 | 151,26 | 180,84 | 268,78 | 545,48 | 791,67 | 958,91 | 1028,69 |
| 5 bar | 0,00 | 53,92 | 100,73 | 147,81 | 192,32 | 235,39 | 280,57 | 487,92 | 906,52 | 1278,55 | 1504,68 | 1603,00 |
| 7 bar | 0,00 | 73,49 | 136,74 | 197,20 | 257,16 | 321,73 | 381,90 | 664,30 | 1196,58 | 1684,88 | | |



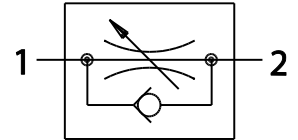
Freier Durchgang

| | | | | |
|--------------------|--------|--------|---------|---------|
| Druck - bar | 1 | 3 | 5 | 7 |
| Durchfluss - l/min | 247,42 | 767,17 | 1219,37 | 1653,10 |



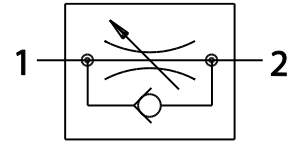
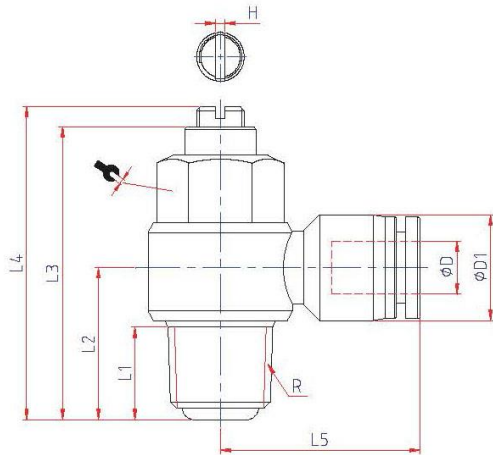


285.014-8



Drosselrückschlagventil mit Abluftdrosselung, regulierbar mit Schlitzschraube, Winkelform, drehbar, Außengewinde zylindrisch mit O-Ring (NBR)

| Artikel Nr. | Typen Nr. | ØD mm | Gewinde | Arbeitsdruck max. bar | E mm | L mm | A mm | B mm | H mm | ØP mm | L1 mm |
|-------------|------------|-------|---------|-----------------------|------|------|------|------|------|-------|-------|
| 110028 | 285.005-4 | 4 | M5 | 10 | 24,5 | 23,0 | 3,5 | 15,0 | 8 | 11,0 | 20,0 |
| 110029 | 285.005-6 | 6 | M5 | 10 | 26,5 | 23,0 | 3,5 | 15,0 | 8 | 13,0 | 21,5 |
| 110030 | 285.018-4 | 4 | G 1/8 | 10 | 29,5 | 31,5 | 4,3 | 15,0 | 12 | 11,0 | 23,0 |
| 110031 | 285.018-6 | 6 | G 1/8 | 10 | 30,0 | 31,5 | 4,3 | 15,0 | 12 | 13,0 | 23,0 |
| 110032 | 285.018-8 | 8 | G 1/8 | 10 | 32,5 | 31,5 | 4,3 | 18,0 | 12 | 14,5 | 26,5 |
| 110033 | 285.014-4 | 4 | G 1/4 | 10 | 33,0 | 38,3 | 6,5 | 15,0 | 14 | 11,0 | 25,0 |
| 110034 | 285.014-6 | 6 | G 1/4 | 10 | 34,0 | 38,3 | 6,5 | 15,0 | 14 | 13,0 | 25,0 |
| 110035 | 285.014-8 | 8 | G 1/4 | 10 | 37,5 | 38,3 | 6,5 | 18,0 | 14 | 14,5 | 29,0 |
| 110036 | 285.014-10 | 10 | G 1/4 | 10 | 41,0 | 38,3 | 6,5 | 22,0 | 14 | 18,5 | 31,0 |
| 110037 | 285.038-6 | 6 | G 3/8 | 10 | 39,5 | 43,0 | 7,5 | 15,0 | 19 | 13,0 | 27,0 |
| 110038 | 285.038-8 | 8 | G 3/8 | 10 | 40,0 | 43,0 | 7,5 | 18,0 | 19 | 14,5 | 30,5 |
| 110039 | 285.038-10 | 10 | G 3/8 | 10 | 44,0 | 43,0 | 7,5 | 22,0 | 19 | 18,5 | 32,0 |
| 110040 | 285.038-12 | 12 | G 3/8 | 10 | 46,0 | 43,0 | 7,5 | 22,0 | 19 | 21,0 | 35,0 |
| 110041 | 285.012-8 | 8 | G 1/2 | 10 | 46,0 | 49,0 | 9,6 | 18,0 | 24 | 14,5 | 33,0 |
| 110042 | 285.012-10 | 10 | G 1/2 | 10 | 49,5 | 49,0 | 9,6 | 22,0 | 24 | 18,5 | 34,5 |
| 110043 | 285.012-12 | 12 | G 1/2 | 10 | 50,0 | 49,0 | 9,6 | 22,0 | 24 | 21,0 | 36,5 |



297.012-8

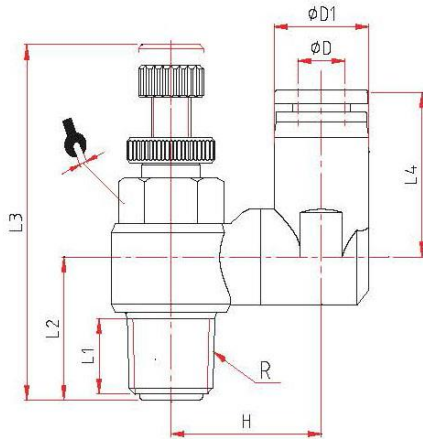


297.014-8

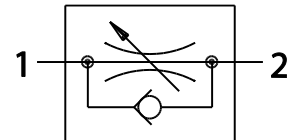
Drosselrückschlagventil mit Abluftdrosselung, regulierbar mit Schlitzschraube, Winkelform, drehbar, Außengewinde konisch mit Gewindebeschichtung

Temperaturbereich: 0 °C bis 60 °C

| Artikel Nr. | Typen Nr. | ØD mm | Gewinde | Arbeitsdruck max. bar | L1 mm | L2 mm | L3 mm | L4 (max) mm | L5 mm | ØD1 mm | H mm | SW mm |
|-------------|------------|-------|---------|-----------------------|-------|-------|-------|-------------|-------|--------|------|-------|
| 136005 | 297.018-4 | 4 | R 1/8 | 10 | 7,7 | - | - | 33,5 | 21,3 | - | - | 12 |
| 136006 | 297.018-6 | 6 | R 1/8 | 10 | 7,7 | - | - | 33,5 | 21,3 | - | - | 12 |
| 136007 | 297.018-8 | 8 | R 1/8 | 10 | 7,7 | - | - | 33,5 | 25,3 | - | - | 12 |
| 136008 | 297.014-4 | 4 | R 1/4 | 10 | 11,4 | - | - | 41,0 | 25,2 | - | - | 14 |
| 136009 | 297.014-6 | 6 | R 1/4 | 10 | 11,4 | - | - | 41,0 | 25,2 | - | - | 14 |
| 136010 | 297.014-8 | 8 | R 1/4 | 10 | 11,4 | - | - | 41,0 | 28,4 | - | - | 14 |
| 136011 | 297.014-10 | 10 | R 1/4 | 10 | 11,0 | 21,2 | 34,8 | 37,5 | 32,7 | 19,0 | 1,2 | 14 |
| 136012 | 297.038-6 | 6 | R 3/8 | 10 | 12,3 | - | - | 45,3 | 29,1 | - | - | 19 |
| 136013 | 297.038-8 | 8 | R 3/8 | 10 | 12,5 | 21,3 | 40,8 | 43,5 | 29,8 | 15,0 | 1,2 | 19 |
| 136014 | 297.038-10 | 10 | R 3/8 | 10 | 12,5 | 23,2 | 40,8 | 43,5 | 33,0 | 19,0 | 1,2 | 19 |
| 136015 | 297.038-12 | 12 | R 3/8 | 10 | 12,5 | 24,5 | 40,8 | 43,5 | 35,5 | 21,5 | 1,2 | 19 |
| 136016 | 297.012-8 | 8 | R 1/2 | 10 | 15,0 | 26,0 | 46,6 | 51,0 | 32,8 | 15,0 | 1,6 | 24 |
| 136017 | 297.012-10 | 10 | R 1/2 | 10 | 15,0 | 26,2 | 46,6 | 51,0 | 36,0 | 19,0 | 1,6 | 24 |
| 136018 | 297.012-12 | 12 | R 1/2 | 10 | 15,0 | 27,5 | 46,6 | 51,0 | 36,5 | 21,5 | 1,6 | 24 |



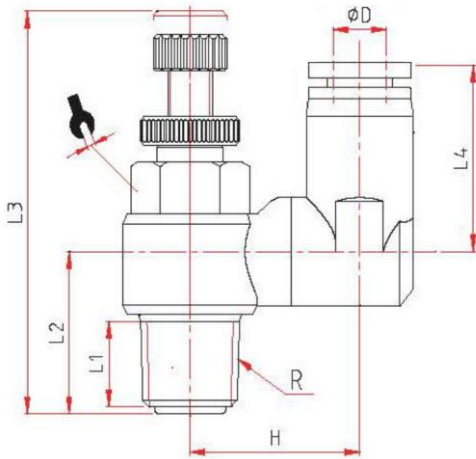
299.038-12



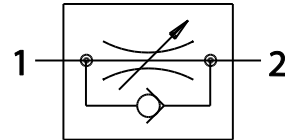
Drosselrückschlagventil mit Abluftdrosselung, regulierbar mit Rändelschraube, gerade Form, drehbar, Außengewinde konisch mit Gewindebeschichtung

Temperaturbereich: 0 °C bis 60 °C

| Artikel Nr. | Typen Nr. | ØD mm | Gewinde | Arbeitsdruck max. bar | L1 mm | L2 mm | L3 (max) mm | L4 mm | H mm | ØD1 mm | SW mm |
|-------------|------------|-------|---------|-----------------------|-------|-------|-------------|-------|------|--------|-------|
| 136019 | 299.005-4 | 4 | M5 | 10 | 3,2 | 11,5 | 33,5 | 20,5 | 11,5 | 11,0 | 8 |
| 136020 | 299.005-6 | 6 | M5 | 10 | 3,2 | 11,5 | 33,5 | 22,0 | 13,0 | 13,5 | 8 |
| 136021 | 299.018-4 | 4 | R 1/8 | 10 | 6,4 | 14,0 | 42,0 | 26,5 | 18,0 | 15,0 | 12 |
| 136022 | 299.018-6 | 6 | R 1/8 | 10 | 6,4 | 14,0 | 42,0 | 26,5 | 18,0 | 15,0 | 12 |
| 136023 | 299.018-8 | 8 | R 1/8 | 10 | 6,4 | 14,0 | 42,0 | 26,5 | 18,0 | 15,0 | 12 |
| 136024 | 299.014-4 | 4 | R 1/4 | 10 | 10,0 | 17,5 | 48,0 | 27,0 | 20,5 | 15,0 | 14 |
| 136025 | 299.014-6 | 6 | R 1/4 | 10 | 10,0 | 17,5 | 48,0 | 27,0 | 20,5 | 15,0 | 14 |
| 136026 | 299.014-8 | 8 | R 1/4 | 10 | 10,0 | 17,5 | 48,0 | 27,0 | 20,5 | 15,0 | 14 |
| 136027 | 299.014-10 | 10 | R 1/4 | 10 | 10,0 | 17,5 | 48,0 | 30,0 | 22,0 | 21,5 | 14 |
| 136028 | 299.014-12 | 12 | R 1/4 | 10 | 10,0 | 17,5 | 48,0 | 30,0 | 22,0 | 21,5 | 14 |
| 136029 | 299.038-10 | 10 | R 3/8 | 10 | 11,4 | 21,5 | 53,0 | 31,0 | 23,0 | 21,5 | 19 |
| 136030 | 299.038-12 | 12 | R 3/8 | 10 | 11,4 | 21,5 | 53,0 | 31,0 | 23,0 | 21,5 | 19 |



298.038-12



Drosselrückschlagventil, mit Zuluftdrosselung, regulierbar mit Rändelschraube, gerade Form, drehbar, Außengewinde konisch mit Gewindebeschichtung

Temperaturbereich: 0 °C bis 60 °C

| Artikel Nr. | Typen Nr. | ØD mm | Gewinde | Arbeitsdruck max. bar | L1 mm | L2 mm | L3 mm | L4 mm | H mm | SW mm |
|---|-------------|-------|---------|-----------------------|-------|-------|-------|-------|------|-------|
| 136032 | 298.005-4 | 4 | M5 | 10 | 3,2 | 11,5 | 33,5 | 20,5 | 11,5 | 8 |
| 153628 | 298.005-4-1 | 4 | M5 | 10 | 4,0 | 11,0 | 28,0 | 25,5 | 14,5 | 8 |
| Die Artikel Nr. 153628 ersetzt die Artikel Nr. 136032 | | | | | | | | | | |
| 136033 | 298.005-6 | 6 | M5 | 10 | 3,2 | 11,5 | 33,5 | 22,0 | 13,0 | 8 |
| 136034 | 298.018-4 | 4 | R 1/8 | 10 | 6,4 | 14,0 | 42,0 | 26,5 | 18,0 | 12 |
| 136035 | 298.018-6 | 6 | R 1/8 | 10 | 6,4 | 14,0 | 42,0 | 26,5 | 18,0 | 12 |
| 135979 | 298.018-8 | 8 | R 1/8 | 10 | 6,4 | 14,0 | 42,0 | 26,5 | 18,0 | 12 |
| 135980 | 298.014-4 | 4 | R 1/4 | 10 | 10,0 | 17,5 | 48,0 | 27,0 | 20,5 | 14 |
| 135981 | 298.014-6 | 6 | R1/4 | 10 | 10,0 | 17,5 | 48,0 | 27,0 | 20,5 | 14 |
| 135982 | 298.014-8 | 8 | R 1/4 | 10 | 10,0 | 17,5 | 48,0 | 27,0 | 20,5 | 14 |
| 153635 | 298.014-8-1 | 8 | R 1/4 | 10 | 11,0 | 19,0 | 43,0 | 28,0 | 18,5 | 15 |
| Die Artikel Nr. 153635 ersetzt die Artikel Nr. 135982 | | | | | | | | | | |
| 135983 | 298.014-10 | 10 | R 1/4 | 10 | 10,0 | 17,5 | 48,0 | 30,0 | 22,0 | 14 |
| 135984 | 298.014-12 | 12 | R 1/4 | 10 | 10,0 | 17,5 | 48,0 | 30,0 | 22,0 | 14 |
| 135985 | 298.038-10 | 10 | R 3/8 | 10 | 11,4 | 21,5 | 53,0 | 31,0 | 23,0 | 19 |
| 135986 | 298.038-12 | 12 | R 3/8 | 10 | 11,4 | 21,5 | 53,0 | 31,0 | 23,0 | 19 |

Montage von Schnellsteckverbindungen

- Schlauchenden gerade abschneiden. Um eine optimale Dichtwirkung und sicheres Halten der Verbindung zu gewährleisten sollte das Schlauchende nicht oval sein.
- Schlauchende reinigen, Grate entfernen.
- Schlauchende vollständig bis zum Anschlag in die Schnellsteckverbindung stecken.
- Durch ein kurzes Ziehen die Haltbarkeit der Verbindung prüfen.
- Zum Lösen des Schlauches den Lösering drücken.
- Den Schlauch mit einer leichten Drehbewegung aus der Verschraubung ziehen.
- Vor einer erneuten Montage sollte das Schlauchende wieder gerade abgeschnitten werden, um die Steck- und Lösbarkeit nicht zu erschweren.

*Die Eignungsprüfung für den jeweiligen Anwendungsfall obliegt dem Anwender.

Für eine verbesserte Festigkeit von Steckverbindern mit **PA**-Schläuchen, empfehlen wir folgende Steckverbinder – Schlauch – Kombination:



| Außen-Ø für Schlauch | Empfohlener Schlauch-Ø | Empfohlener Schlauch |
|----------------------|------------------------|----------------------|
| 3 | 3x1,5 * | 259.08 X |
| 4 | 4x2 * | 259.09 X |
| 5 | 5x3 | 259.10 X |
| 6 | 6x4 * | 259.11 X |
| 8 | 8x6 * | 259.12 X |
| 10 | 10x7 * | 259.61 X |
| 12 | 12x9 * | 259.14 X |
| 14 | 14x11 | 259.62 X |
| 16 | 16x12 | 259.25 X |

* Empfohlen und angelehnt an die ISO 14743

Für eine verbesserte Festigkeit von Steckverbindern mit **PU**-Schläuchen, empfehlen wir folgende Steckverbinder – Schlauch – Kombination:



| Außen-Ø für Schlauch | Empfohlener Schlauch-Ø | Empfohlener Schlauch |
|----------------------|------------------------|----------------------|
| 3 | 3x1,5 * | 259.50 X |
| 4 | 4x2 * | 259.04 X |
| 5 | 5x3 | 259.15 X |
| 6 | 6x4 * | 259.16 X |
| 8 | 8x5 * | 259.63 X |
| 10 | 10x7 * | 259.64 X |
| 12 | 12x8 * | 259.65 X |
| 14 | 14x10 | 259.51 X |
| 16 | 16x12 | 259.52 X |

* Empfohlen und angelehnt an die ISO 14743

