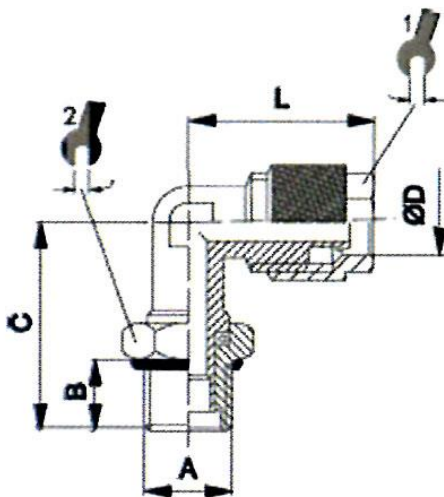




Material: Messing vernickelt
 max. Betriebsdruck: 18 bar
 verwendbare Schläuche: PA, PE, PU



13.514-8-E

Winkeleinschraubverschraubung, drehbar, Außengewinde zylindrisch mit O-Ring

| Artikel Nr. | Ident Nr. | ØD | A | B | C | L |  1 |  2 |
|-------------|-----------|------|-------|-----|------|------|-----------------------------------------------------------------------------------------|-----------------------------------------------------------------------------------------|
| 13.518-6-E | 115223 | 6/4 | G 1/8 | 6,0 | 22,5 | 22,5 | 12 | 14 |
| 13.518-8-E | 115224 | 8/6 | G 1/8 | 6,0 | 22,5 | 23,5 | 14 | 14 |
| 13.514-6-E | 115221 | 6/4 | G 1/4 | 8,0 | 25,0 | 23,5 | 12 | 17 |
| 13.514-8-E | 115222 | 8/6 | G 1/4 | 8,0 | 25,0 | 23,5 | 14 | 17 |
| 13.514-10-E | 115220 | 10/8 | G 1/4 | 8,0 | 25,5 | 25,5 | 16 | 17 |