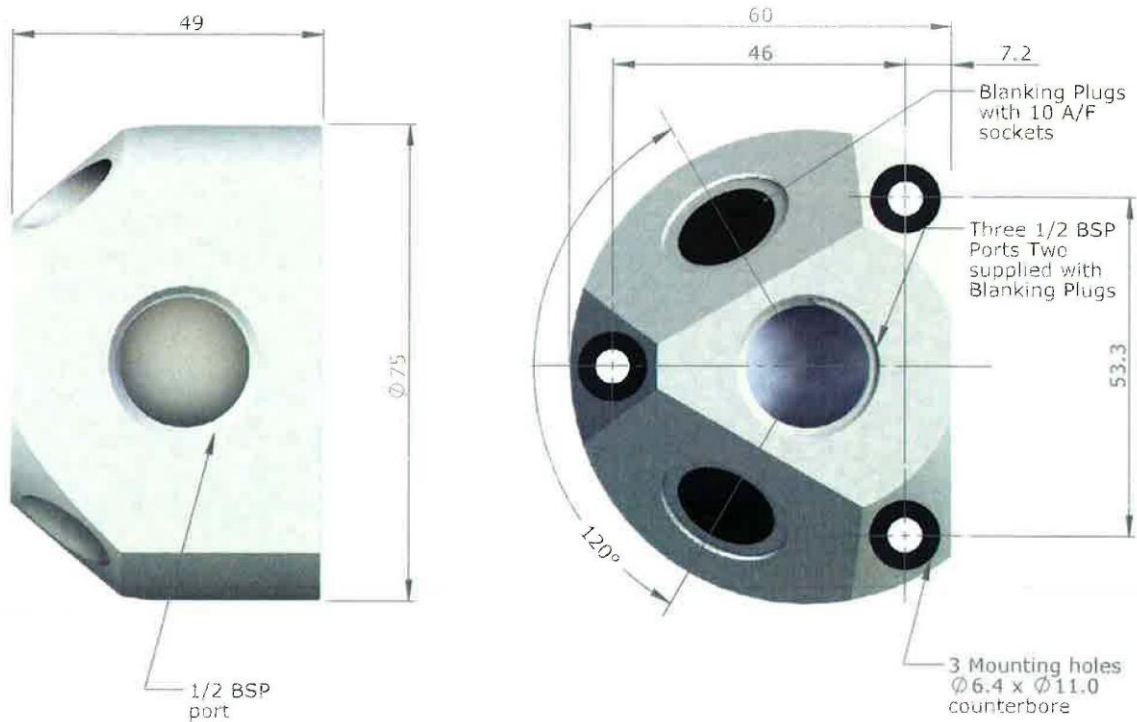


für Serie »speedfit«

Mit 2 Stopfen

Art.-Nr. 87.012



Dimensions in mm - nominal unless stated otherwise

## Parts List

| Part Description | Material               | Part Description | Material                 |
|------------------|------------------------|------------------|--------------------------|
| Body             | Aluminium              | Plugs            | Nylon 6 30% Glass Filled |
| 'O' Rings        | Nitrile 70 IRHD, Black |                  |                          |

## Technical Information

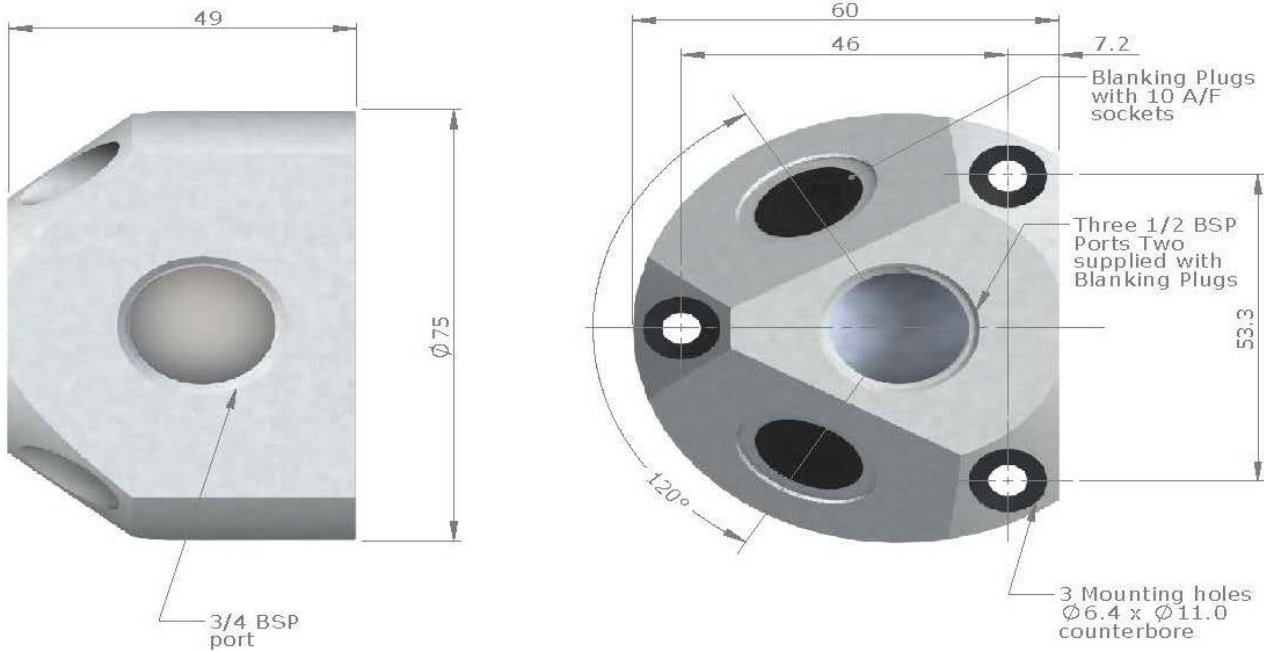
### Working Pressures & Temperatures

10 bar @ 23°C 7 bar @ 70°C  
 Minimum Temperature -20°C

### Applications

Air Ring Main ✓

Art.-Nr. 87.034



Dimensions in mm - nominal unless stated otherwise

| Parts List       |                        |                  |                          |
|------------------|------------------------|------------------|--------------------------|
| Part Description | Material               | Part Description | Material                 |
| Body             | Aluminium              | Plugs            | Nylon 6 30% Glass Filled |
| 'O' Rings        | Nitrile 70 IRHD, Black |                  |                          |

| Technical Information                                      |                 |
|--|-----------------|
| Working Pressures & Temperatures                           | Applications    |
| 10 bar @ 23°C    7 bar @ 70°C<br>Minimum Temperature -20°C | Air Ring Main ✓ |