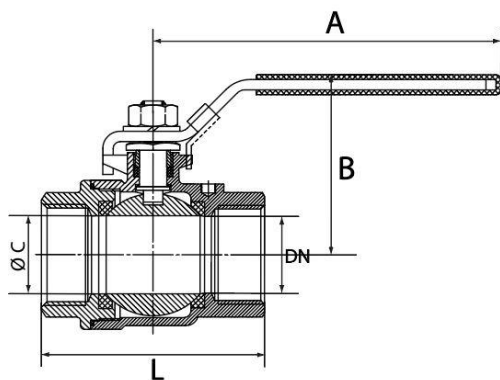


Aus Edelstahl, 2-teilig - Standardausführung.

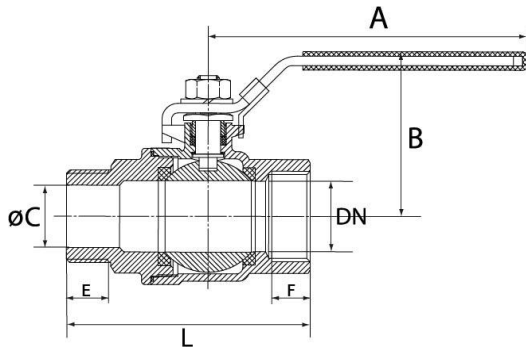
|                    |   |
|--------------------|---|
| Gehäuse            | Edelstahl 1.4408                        |
| Kugel              | Edelstahl 1.4401                        |
| Kugeldichtung      | PTFE (15% glasfaserverstärkt)           |
| Spindelabdichtung  | PTFE                                    |
| Handhebel          | Edelstahl 1.4301, mit Kunststoffüberzug |
| Betriebstemperatur | -20 °C bis 180 °C                       |
| Gewindenorm        | G-Gewinde nach DIN EN ISO 228-1         |



3395.05

**Edelstahlkugelhahn, 2-teilig, Innen-/Innengewinde, mit vollem Durchgang**

| Artikel Nr. | Typen Nr. | Gewinde | DN | PN<br>bar | L<br>mm | A<br>mm | B<br>mm | Ø C  | E<br>mm | F<br>mm | Kv   |
|-------------|-----------|---------|----|-----------|---------|---------|---------|------|---------|---------|------|
| 135892      | 3395.01   | G 1/4   | 8  | 63        | 48,0    | 95,0    | 50,0    | 10,0 | 9,0     | 9,0     | 6,6  |
| 135893      | 3395.02   | G 3/8   | 10 | 63        | 48,0    | 95,0    | 50,0    | 10,0 | 9,0     | 9,0     | 7,9  |
| 135894      | 3395.03   | G 1/2   | 15 | 63        | 56,0    | 105,0   | 61,5    | 15,0 | 11,0    | 11,0    | 11,2 |
| 135895      | 3395.04   | G 3/4   | 20 | 63        | 65,0    | 115,0   | 67,5    | 20,0 | 12,0    | 12,0    | 21   |
| 135896      | 3395.05   | G 1     | 25 | 63        | 75,0    | 125,0   | 69,0    | 25,0 | 14,0    | 14,0    | 35   |
| 135897      | 3395.06   | G 1 1/4 | 32 | 63        | 88,0    | 150,0   | 84,5    | 32,0 | 15,0    | 15,0    | 57   |
| 135898      | 3395.07   | G 1 1/2 | 40 | 63        | 98,0    | 170,0   | 103,5   | 38,0 | 15,0    | 15,0    | 80   |
| 135899      | 3395.08   | G 2     | 50 | 63        | 110,0   | 170,0   | 111,0   | 49,0 | 15,0    | 15,0    | 150  |
| 135900      | 3395.09   | G 2 1/2 | 65 | 40        | 138,0   | 240,0   | 135,0   | 64,0 | 21,0    | 21,0    | 265  |
| 135901      | 3395.10   | G 3     | 80 | 40        | 164,0   | 240,0   | 145,0   | 76,0 | 25,0    | 25,0    | 415  |



3395.25

Edelstahlkugelhahn, 2-teilig, Innen-/Außengewinde, leicht reduzierend

| Artikel Nr. | Typen Nr. | Gewinde | DN | PN<br>bar | L<br>mm | A<br>mm | B<br>mm | C Ø<br>mm | E<br>mm | F<br>mm | Kv   |
|-------------|-----------|---------|----|-----------|---------|---------|---------|-----------|---------|---------|------|
| 135902      | 3395.21   | G 1/4   | 8  | 63        | 58,0    | 95,0    | 50,0    | 10,0      | 9,0     | 9,0     | 6,6  |
| 135903      | 3395.22   | G 3/8   | 10 | 63        | 58,0    | 95,0    | 50,0    | 10,0      | 9,0     | 9,0     | 7,9  |
| 135904      | 3395.23   | G 1/2   | 15 | 63        | 68,0    | 105,0   | 61,5    | 15,0      | 11,0    | 11,0    | 11,2 |
| 135905      | 3395.24   | G 3/4   | 20 | 63        | 75,0    | 115,0   | 67,5    | 20,0      | 12,0    | 12,0    | 21   |
| 135906      | 3395.25   | G 1     | 25 | 63        | 85,0    | 125,0   | 69,0    | 25,0      | 14,0    | 14,0    | 35   |
| 135907      | 3395.26   | G 1 1/4 | 32 | 63        | 100,0   | 150,0   | 84,5    | 32,0      | 15,0    | 15,0    | 57   |
| 135908      | 3395.27   | G 1 1/2 | 40 | 63        | 112,0   | 170,0   | 103,5   | 38,0      | 15,0    | 15,0    | 80   |
| 135909      | 3395.28   | G 2     | 50 | 63        | 123,0   | 170,0   | 111,0   | 49,0      | 15,0    | 15,0    | 150  |

