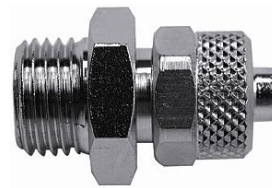
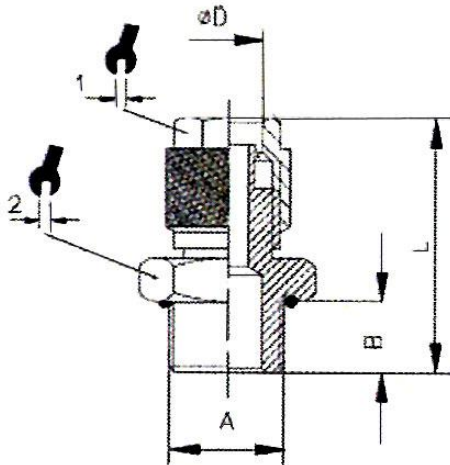




Material: Messing vernickelt  
 max. Betriebsdruck: 18 bar  
 verwendbare Schläuche: PA, PE, PU



11.114-8-E

**Gerade Einschraubverschraubung, Außengewinde zylindrisch**

Artikel Nr.	Ident Nr.	$\varnothing D$	G	B	L	 1	 2
11.105-5-E	114743	5/3	M5	4,0	21,0	8	8
11.105-6-E	114744	6/4	M5	4,0	21,0	9	8
11.118-5-E	114749	5/3	G 1/8	6,0	23,0	8	14
11.118-6-E	114750	6/4	G 1/8	6,0	25,5	12	13
11.118-8-E	114751	8/6	G 1/8	6,0	25,5	14	14
11.118-10-E	114748	10/8	G 1/8	6,0	27,5	16	14
11.114-6-E	114746	6/4	G 1/4	8,0	28,0	12	16
11.114-8-E	114747	8/6	G 1/4	8,0	28,0	14	16
11.114-10-E	114745	10/8	G 1/4	8,0	29,5	16	16
11.138-6-E	114754	6/4	G 3/8	9,0	29,0	12	19
11.138-8-E	114755	8/6	G 3/8	9,0	29,0	14	19
11.138-10-E	114752	10/8	G 3/8	9,0	30,5	16	19
11.138-12-E	114753	12/10	G 3/8	9,0	32,0	18	19